

CF-9
Radial Lead Forming Machine

**Bills of Material
&
Exploded Views**

Version 2.2
June 3, 2014

Prepared by
GPD Documentation Department

Copyright (C) 1992, 1996, 2002, 2007, 2014 GPD Global®
All Rights Reserved

GPD Global®
611 Hollingsworth Street
Grand Junction, CO 81505
(970) 245-0408 FAX (970) 245-9674

Table of Contents

| <u>Description</u> | <u>Drawing No.</u> | <u>Page</u> |
|---|---------------------------------|-------------|
| CF-9 General Parts | CF-9 General Assembly | 1 |
| | (1 of 7) | 5 |
| | (2 of 7) | 6 |
| | (3 of 7) | 7 |
| | (4 of 7) | 8 |
| | (5 of 7) | 9 |
| | (6 of 7) | 10 |
| | (7 of 7) | 11 |
| Die Block Station #1 | 901-1-100 | 12 |
| Cover Plate Assembly | 901-1-101 | 14 |
| Die Block Station #2 | 901-1-102 | 16 |
| Transfer Belt Assembly- Large stud size | 901-3-101 | 18 |
| Transfer Belt Assembly- Small stud size | 901-3-102 | 18 |
| Cam Follower Assembly | 902-1-102 | 20 |
| Lever Assembly - Belt | 902-1-103 | 22 |
| Lever Assembly - Top | 903-1-104 | 24 |
| Lever Assembly - Bottom | 903-1-105 | 26 |
| Infeed Arm Assembly with Spring | 903-2-110 | 28 |
| Counter Bracket | 903-108 | 30 |
| Control Unit, 120V 60Hz | 906-3-1 | 32 |
| Control Unit, 230V 50/60Hz | 906-3-2 | 34 |
| Spare Parts Kit, 120V | 925-1-2 | 36 |
| Spare Parts Kit, 230V | 925-1-3 | 38 |
| Micrometer Adjustment Package | 925-111 | 40 |
| Counter Package, 120V | 925-112 | 42 |
| Counter Package, 230V | 925-113 | 44 |

10-30-92 **Bill of Material for Assembly CF9.GENERAL**
CF9 GENERAL PARTS

Effective As of: 10-15-92

| ITEM* | PART#..... | DESCRIPTION..... | QTY..... | UM |
|-------|--------------|------------------------|----------|----|
| 1 | 901-2-6A | SHAFT ECCENTRIC | 1 | EA |
| 2 | 901-2-6B | SHAFT ECCENTRIC | 2 | EA |
| 3 | 901-2-7 | GEAR | 2 | EA |
| 4 | 901-2-8 | IDLER GEAR | 2 | EA |
| 5 | 901-2-9 | IDLER SHAFT | 2 | EA |
| 6 | 901-2-10 | CAM | 1 | EA |
| 7 | 901-2-11 | SHAFT ECCENTRIC | 1 | EA |
| 8 | 901-2-13 | GEAR | 2 | EA |
| 9 | 901-2-19 | SLIDE ROD | 4 | EA |
| 10 | 901-3-4 | PULLEY, CAM FOLLOW | 1 | EA |
| 11 | 901-3-5 | PULLEY, MOTOR | 1 | EA |
| 12 | 902-1-2 | TIE BAR | 4 | EA |
| 13 | 902-1-7 | SHAFT | 1 | EA |
| 14 | 902-1-8 | GEAR | 1 | EA |
| 15 | 902-1-13 | WASHER STEEL | 4 | EA |
| 16 | 902-1-18 | PULLEY NYLATRON | 2 | EA |
| 17 | 902-1-12 | SHAFT | 1 | EA |
| 18 | 902-1-14 | PULLEY | 1 | EA |
| 19 | 902-1-15 | SHAFT | 1 | EA |
| 20 | 902-1-16 | GEAR | 1 | EA |
| 21 | 902-1-17A | BRASS WASHER | 4 | EA |
| 22 | 902-2-1 | UPRIGHT | 1 | EA |
| 23 | 902-3-3 | REAR SUPPORT PLATE | 1 | EA |
| 24 | 902-4-9 | BASE | 1 | EA |
| 25 | 903-1-4 | BELT GUIDE | 1 | EA |
| 26 | 903-1-5 | SUPPORT PIN | 2 | EA |
| 27 | 903-1-8 | PRESSURE PLATE | 1 | EA |
| 28 | 903-1-12 | WASHER NYLATRON | 4 | EA |
| 29 | 903-1-13 | PIN | 1 | EA |
| 30 | 904-1-1 | CABINET | 1 | EA |
| 31 | 904-2-2 | TAPE EXIT CHUTE | 1 | EA |
| 32 | 904-2-3 | COMPONENT EXIT CHUTE | 1 | EA |
| 33 | 904-2-4 | SPACER | 2 | EA |
| 34 | 904-2-5 | SHIELD LOCKING BLOCK | 1 | EA |
| 35 | 904-2-6 | BELT GUARD | 1 | EA |
| 36 | 904-3-7 | SHIELD.SAFETY GUARD | 1 | EA |
| 37 | SACAN2520037 | SCREW,ALLEN,CAP | AR | EA |
| 38 | SACAN2520062 | SCREW,ALLEN,CAP | AR | EA |
| 39 | SACAN2520125 | SCREW,ALLEN,CAP | AR | EA |
| 40 | SACAN2520050 | SCREW,ALLEN,CAP | AR | EA |
| 41 | SABAN1032037 | SCREW,ALLEN,BUTTON | AR | EA |
| 42 | SACAN1032087 | SCREW,ALLEN,CAP | AR | EA |
| 43 | N.S. | | | |
| 44 | NSNA1032 | NUT | AR | EA |
| 45 | NK-250 | KNOB NEURAL | 1 | EA |
| 46 | HG-210 | HINGE, SAFETY GUARD | 2 | EA |
| 47 | F4959 | SHOULDER BOLT | 1 | EA |
| 48 | G1007 | RETAINING RING 5100-25 | AR | EA |
| 49 | G1003 | RETAINING RING 5100-18 | AR | EA |
| 50 | 903-1-OE | SPRING MUSIC WIRE | 1 | EA |
| 51 | B0001 | RADIAL BALL BRG, | 12 | EA |
| 52 | D0001 | MOTOR BELT | 1 | EA |

N.S. - Not Shown

N.S.S. - Not Sold Separately

10-30-92 Bill of Material for Assembly CF9.GENERAL
CF9 GENERAL PARTS

Effective As of: 10-15-92

| ITEM* | PART#..... | DESCRIPTION..... | QTY..... | UM |
|-------|----------------|--------------------------|----------|----|
| 53 | L0202 | BUSHING 03DU04 | 4 | EA |
| 54 | L0301 | BUSHING 04DU04 | 3 | EA |
| 55 | L0302 | BUSHING 04DU06 | 1 | EA |
| 56 | L0705 | BUSHING 08DU12 | 2 | EA |
| 57 | 2800-0017 | RUBBER GROMMET 5/8" ID | 1 | EA |
| 58 | 902-4-9B | MOTOR RISER | 2 | EA |
| 59 | SABAN0832025 | SCREW,ALLEN,BUTTON | AR | EA |
| 60 | SAFAN2520125 | SCREW,ALLEN,FLATHEAD | AR | EA |
| 61 | 4500-0008 | RELAY SOCKET | 1 | EA |
| 62 | 907-GROMMET | GROMMET | 1 | EA |
| 63 | 904-4-1 | REEL HOLDER | 1 | EA |
| 64 | SACAN2520087 | SCREW,ALLEN,CAP | AR | EA |
| 65 | SABAN2520062 | SCREW,ALLEN,BUTTON | AR | EA |
| | 903-1-104 | LEVER ASSEMBLY (TOP) | 1 | EA |
| | 903-1-105 | LEVER ASSEMBLY (BOTTOM) | 1 | EA |
| | 920-109 | REEL SPINDLE ASSEMBLY | 1 | EA |
| N.S. | SABAN0632025 | SCREW,ALLEN,BUTTON | AR | EA |
| N.S. | G3013 | WOODRUFF KEY 605 | AR | EA |
| N.S. | G3009 | WOODRUFF KEY 404 | AR | EA |
| N.S. | F3551 | FLAT WASHER #8 | AR | EA |
| N.S. | SABAN0832025 | SCREW,ALLEN,BUTTON | AR | EA |
| N.S. | SACAN2520175 | SCREW,ALLEN,CAP | AR | EA |
| N.S. | NACAN2520050 | SET.A.CU.STL. | AR | EA |
| N.S. | TACAN0832018 | SET.A.CU.STL. | AR | EA |
| N.S. | TACAN1032050 | SET.A.CU.STL. | AR | EA |
| N.S. | SACAN1032062 | SCREW,ALLEN,CAP | AR | EA |
| N.S. | SPRSN0632025 | SCR.P.RD.SST. | 1 | EA |
| N.S. | NSIA3118 | NUT,NYLON INSERT | AR | EA |
| N.S. | SHHAN3716075 | SCR.H.HX.STL. | AR | EA |
| N.S. | F5953 | HELICOIL | 2 | EA |
| N.S. | 6000-20-HU-BRN | WIRE, 20AWG HOOKUP/BROWN | AR | IN |
| N.S. | 6000-20-HU-RED | WIRE, 20AWG HOOKUP/RED | AR | IN |
| N.S. | 6000-20-HU-BLU | WIRE, 20AWG HOOKUP/BLU | AR | IN |
| N.S. | 6000-20-HU-WHT | WIRE, 20AWG HOOKUP/WHITE | AR | IN |
| N.S. | 6000-20-HU-BLK | WIRE, 20AWG HOOKUP/BLACK | AR | IN |
| N.S. | 2100-0123 | CONNECTOR,TERMINAL | AR | EA |
| N.S. | 2800-0029 | STICK DOWN PADS 1/2" | 3 | EA |
| N.S. | TAPAN0832037 | SET.A.PT.STL. | AR | EA |
| N.S. | 810-4-3 | MICROSWITCH BRACKET | 1 | EA |
| N.S. | NSNA0632 | NUT | AR | EA |
| N.S. | F3102 | LOCK WASHER INTERNAL #6 | AR | EA |
| N.S. | SACAN0632100 | SCREW,ALLEN,CAP | AR | EA |
| N.S. | SACAN0632037 | SCREW,ALLEN,CAP | AR | EA |
| N.S. | 920-SPC-2 | SPACER .075 | 6 | EA |
| N.S. | 920-SPC | SPACER .050 | 6 | EA |

N.S. - Not Shown

N.S.S. - Not Sold Separately

10-30-92 **Bill of Material for Assembly CF9.GENERAL**
CF9 GENERAL PARTS

Effective As of: 10-15-92

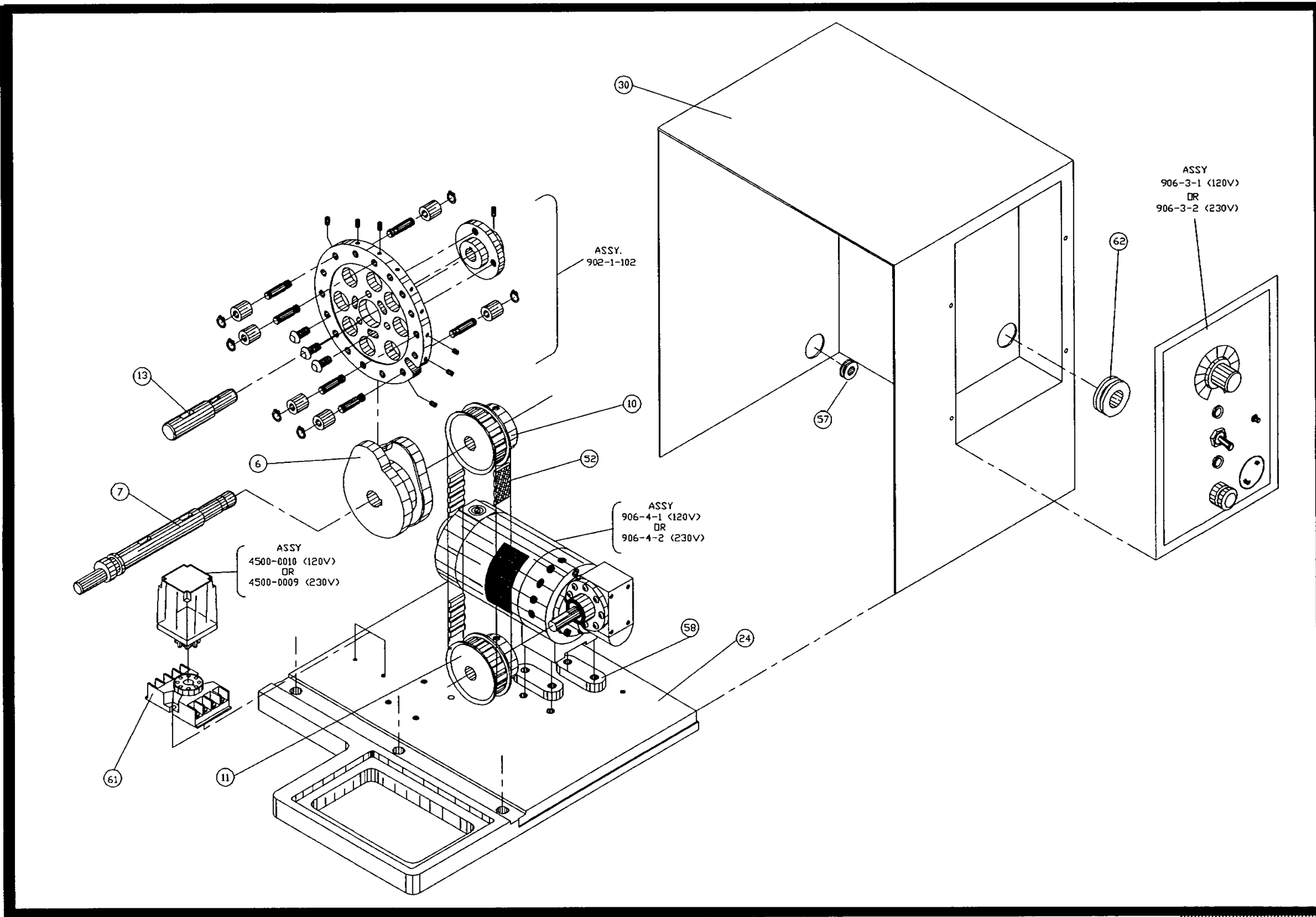
| ITEM* | PART#..... | DESCRIPTION..... | QTY..... | UM |
|-------|--------------|--------------------------|----------|----|
| N.S. | SAFAN2520125 | SCREW,ALLEN,FLATHEAD | AR | EA |
| N.S. | SABAN1032050 | SCREW,ALLEN,BUTTON | AR | EA |
| N.S. | F2051 | WASHER FLAT #4 | AR | EA |
| N.S. | SACAN0440025 | SCREW,ALLEN,CAP | AR | EA |
| N.S. | F3051 | FLAT WASHER | AR | EA |
| N.S. | 2100-0143 | CONNECTOR,TERMINAL | AR | EA |
| N.S. | 2800-0028 | WIRE TIES | 6 | EA |
| N.S. | 5100-0028 | SWITCH,LIMIT | 1 | EA |
| N.S. | F5451 | SHOULDER SCREW | 1 | EA |
| N.S. | 901-1-01 | MANUAL,CF9,OPERATING | 1 | EA |
| N.S. | 701-EA | COMPONENT BIN ANTISTATIC | 1 | EA |
| N.S. | 2400-0012 | DATA PLATE, ELECTRICAL | 1 | EA |

TOOL KIT

| | | | | |
|------|---------|-------------------|---|----|
| N.S. | 709-7 | WRENCH 5/32 "T" | 1 | EA |
| N.S. | 709-5 | WRENCH 3/16 "T" | 1 | EA |
| N.S. | 709-10 | WRENCH 3/32 ALLEN | 1 | EA |
| N.S. | 709-9 | WRENCH 7/64 ALLEN | 2 | EA |
| N.S. | 950-001 | SLIDE GAP | 1 | EA |
| N.S. | 10/0236 | SPACER, CF-9 REEL | 1 | EA |
| N.S. | 905-00 | CATALOG,DIE,CF-9 | 1 | EA |

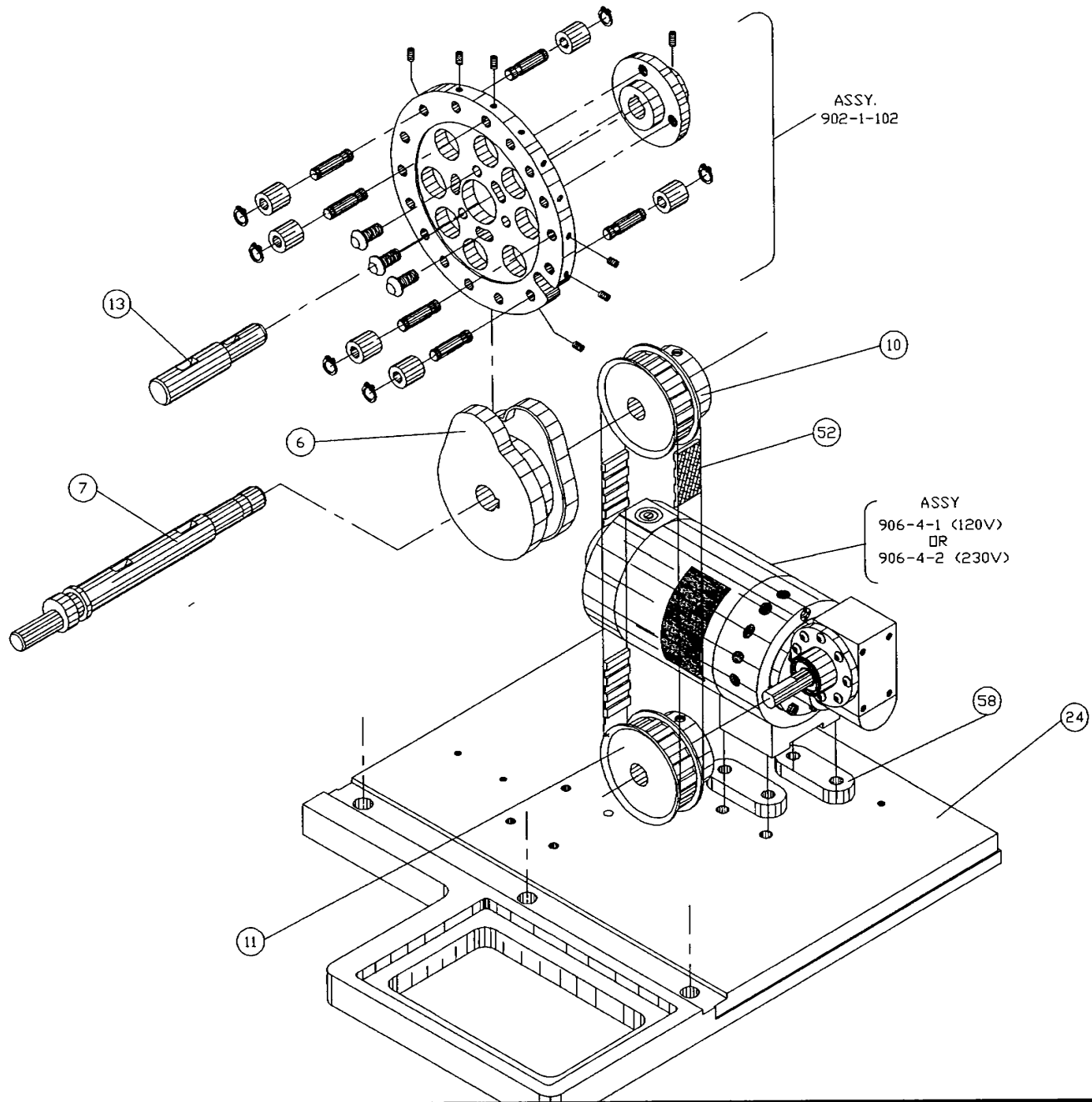
N.S. - Not Shown

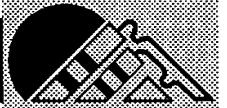
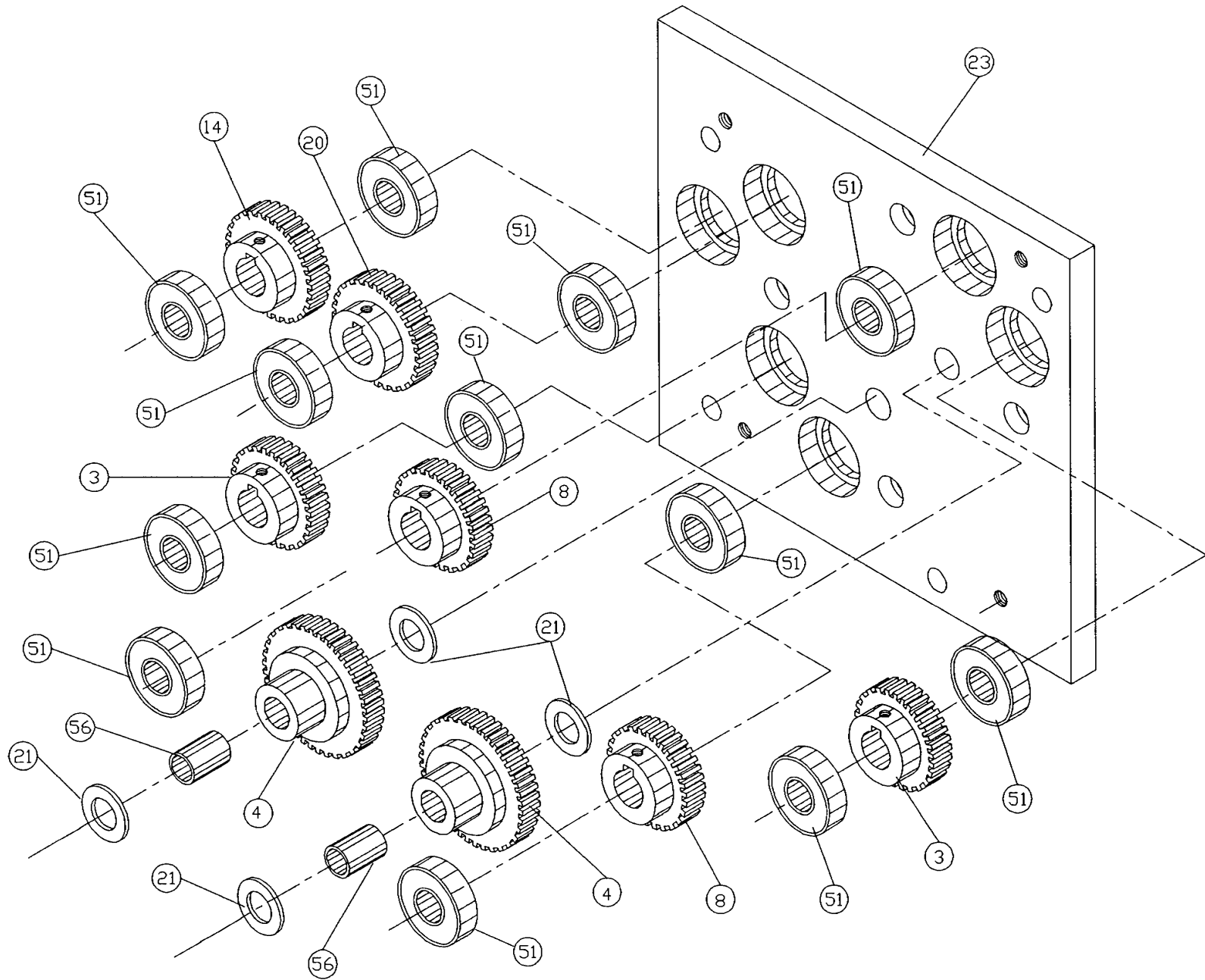
N.S.S. - Not Sold Separately

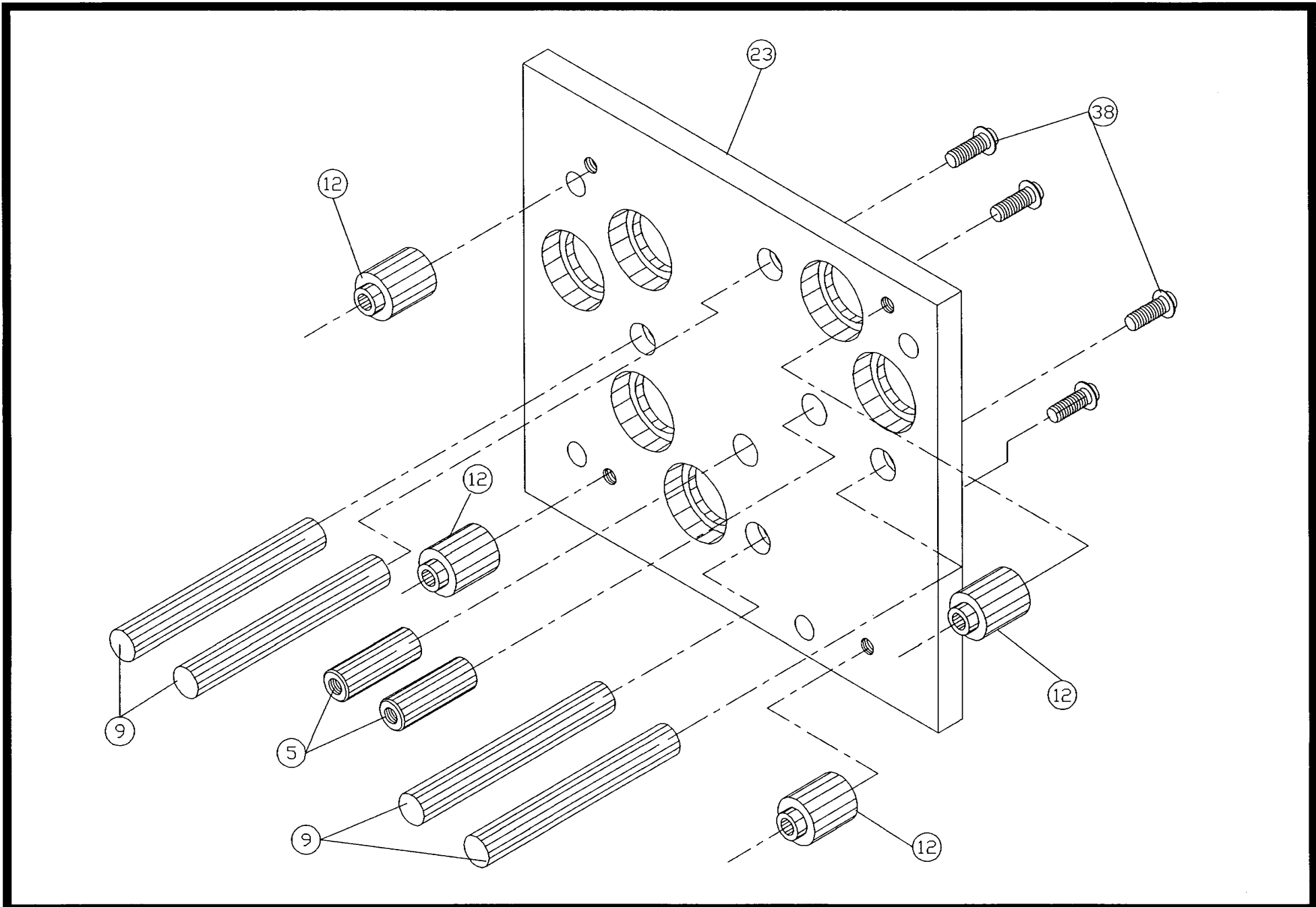


CF-9 General Assembly (1 of 7)



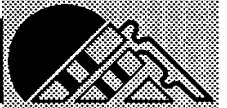


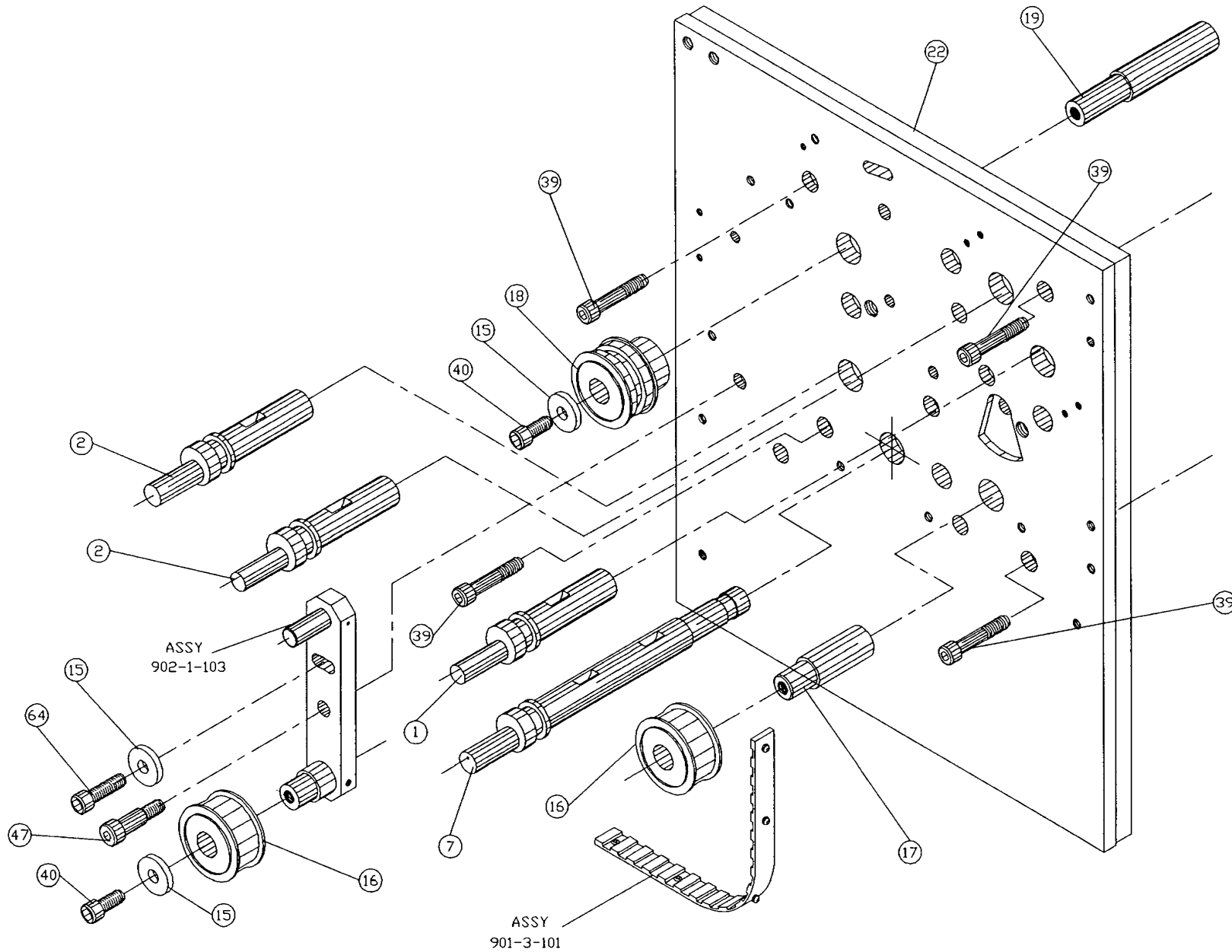


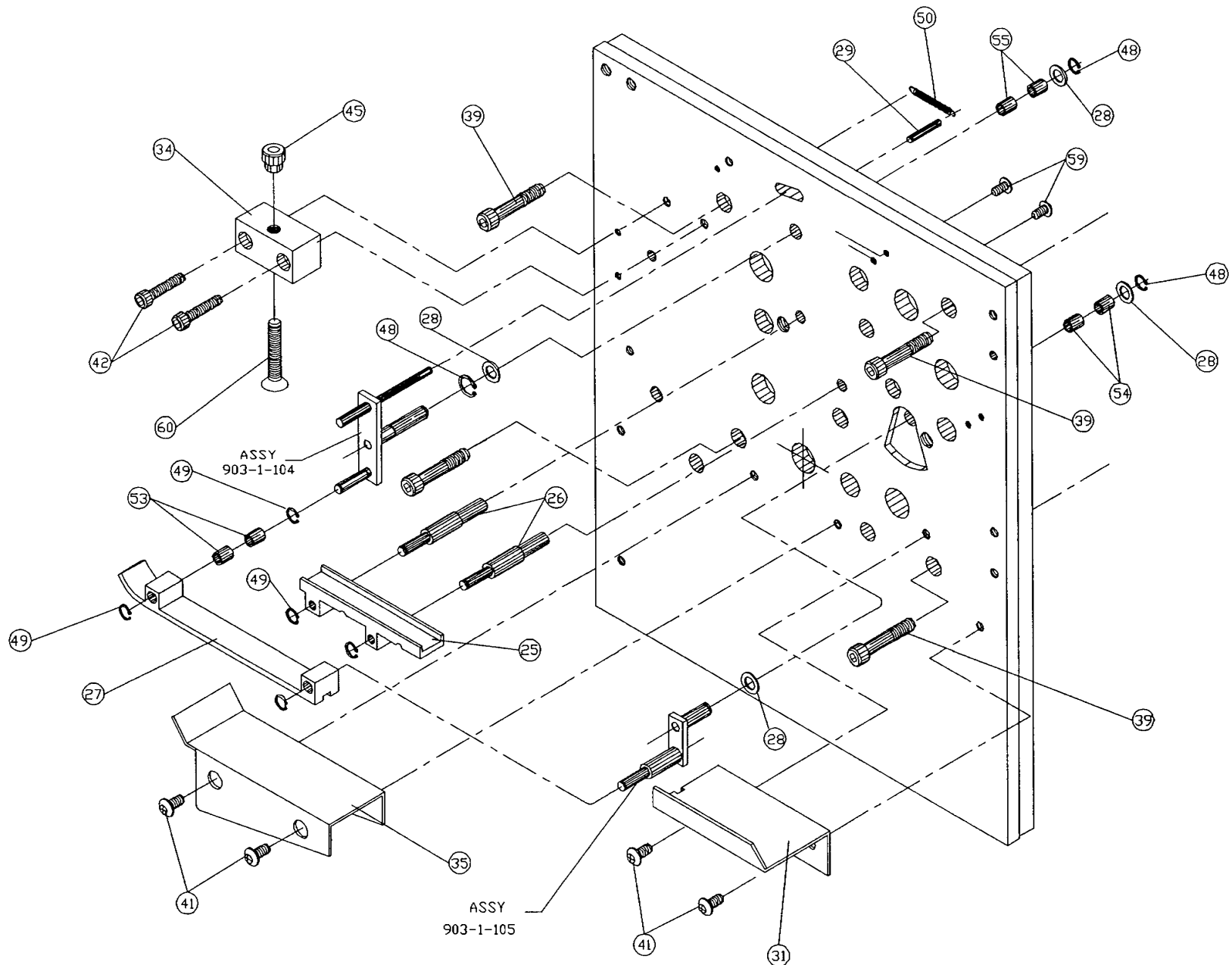


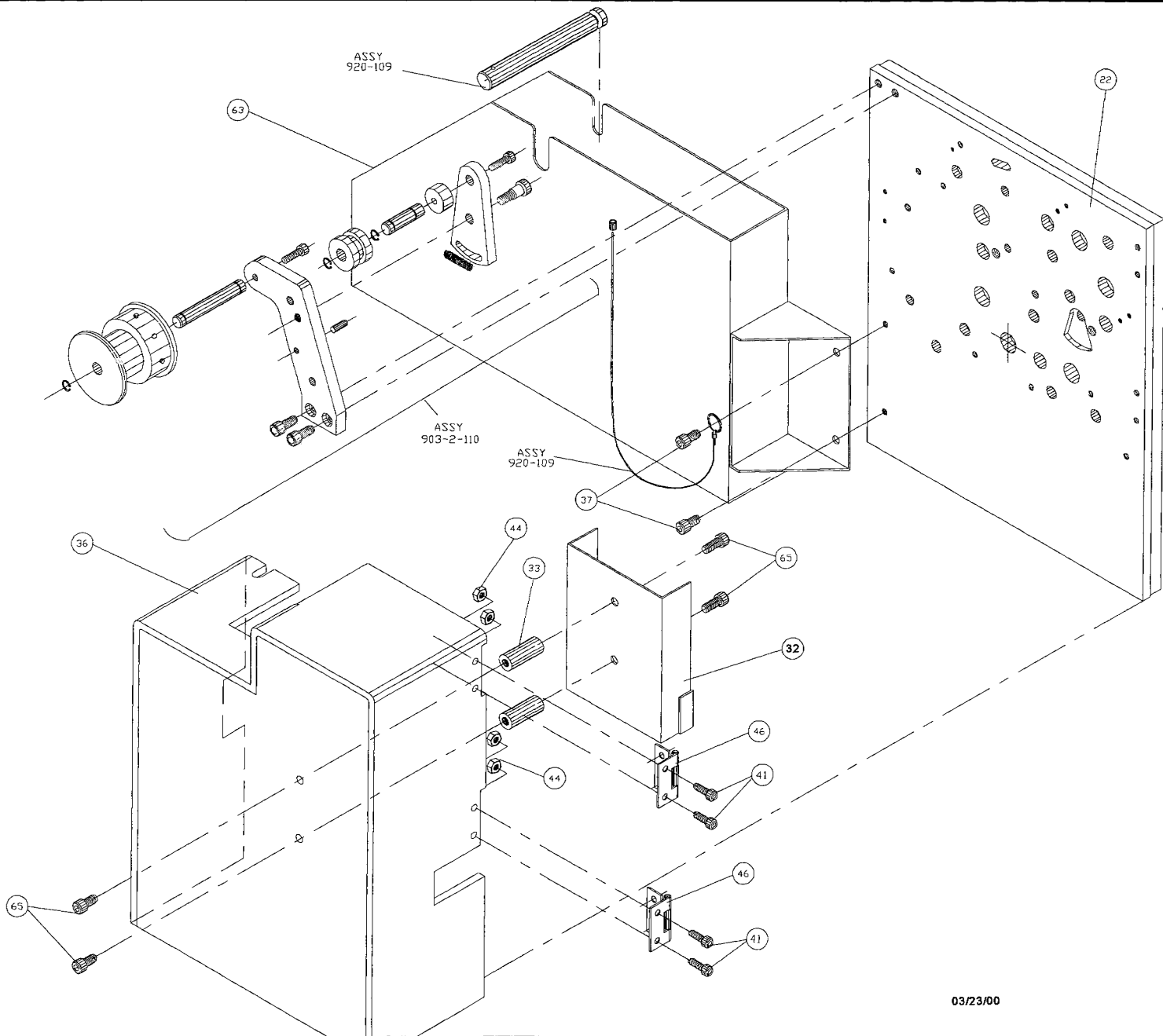
GPD

CF-9 General Assembly (4 of 7)

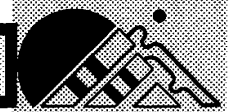








03/23/00



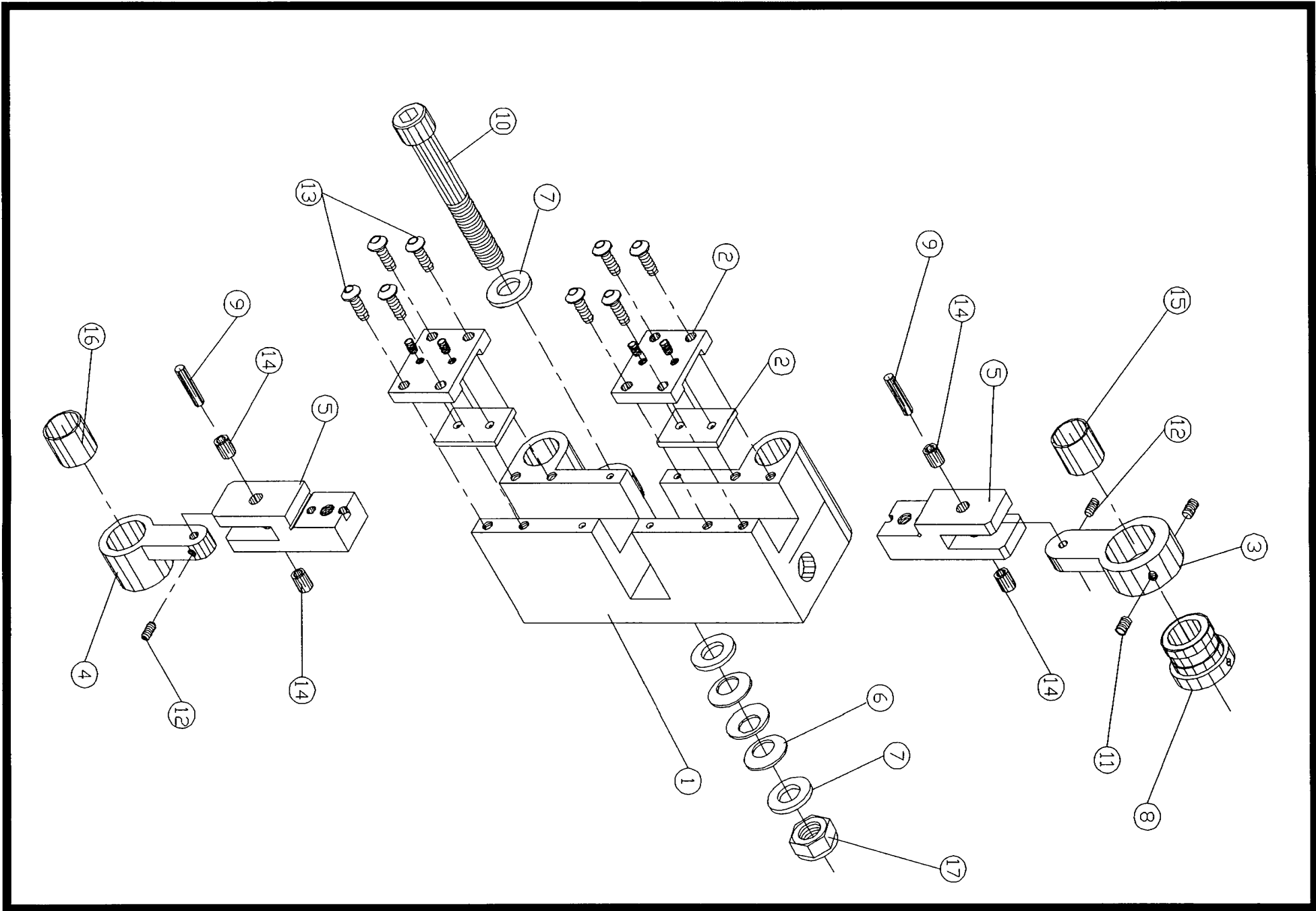
10-30-92 Bill of Material for Assembly 901-1-100
DIE BLOCK STATION #1

Effective As of: 10-15-92

| ITEM* | PART#..... | DESCRIPTION..... | QTY..... | UM |
|-------|--------------|---------------------------|----------|----|
| 1 | 901-1-1 | DIE BLOCK | 1 | EA |
| 2 | 901-1-101 | COVER PLATE ASSEMBLY | 2 | EA |
| 3 | 901-3-1 | LARGE CRANK | 1 | EA |
| 4 | 901-1-4 | SMALL CRANK | 1 | EA |
| 5 | 901-2-14 | SLIDE | 2 | EA |
| 6 | 10/0197 | WASHER,BOW,SS | 3 | EA |
| 7 | 901-3-7 | WASHER STEEL | 3 | EA |
| 8 | 901-3-2 | ECCENTRIC BUSHING .015 | 1 | EA |
| 9 | 801-1-12 | CRANK PIN | 2 | EA |
| 10 | 901-1-5 | SCREW,ADJ | 1 | EA |
| 11 | TACAN0832018 | SET.A.CU.STL. | AR | EA |
| 12 | TACAN0440018 | SET.A.CU.STL. | AR | EA |
| 13 | SACAN0632037 | SCREW,ALLEN,CAP | AR | EA |
| 14 | L0001 | BUSHING 02DU03 | 4 | EA |
| 15 | L0503 | BUSHING 06DU10 | 1 | EA |
| 16 | L0601 | BUSHING 07DU08 | 1 | EA |
| 17 | NSIA3118 | NUT, NYLON INSERT_5/16-18 | 1 | EA |
| N.S. | 801-1-20 | SCR,WASH FACE TH'B | 1 | EA |

N.S. - Not Shown

N.S.S. - Not Sold Separately



GPD

Die Block Station #1 No. 901-1-100



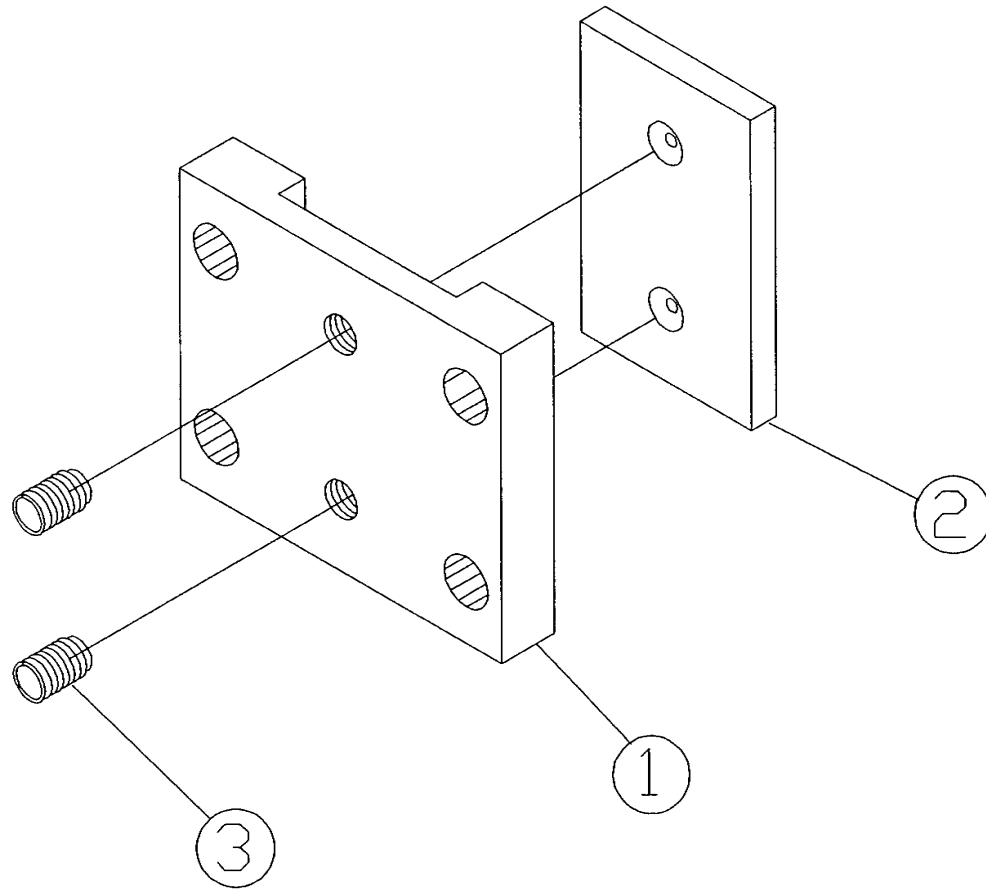
10-30-92 Bill of Material for Assembly 901-1-101
 COVER PLATE ASSEMBLY

Effective As of: 10-15-92

| ITEM* | PART#..... | DESCRIPTION..... | QTY..... | UM |
|-------|--------------|------------------|----------|----|
| 1 | 901-1-3 | COVER PLATE | 1 | EA |
| 2 | 901-1-6 | WEAR PLATE | 1 | EA |
| 3 | TACAN0440012 | SET.A.CU.STL. | 2 | EA |

N.S. - Not Shown

N.S.S. - Not Sold Separately



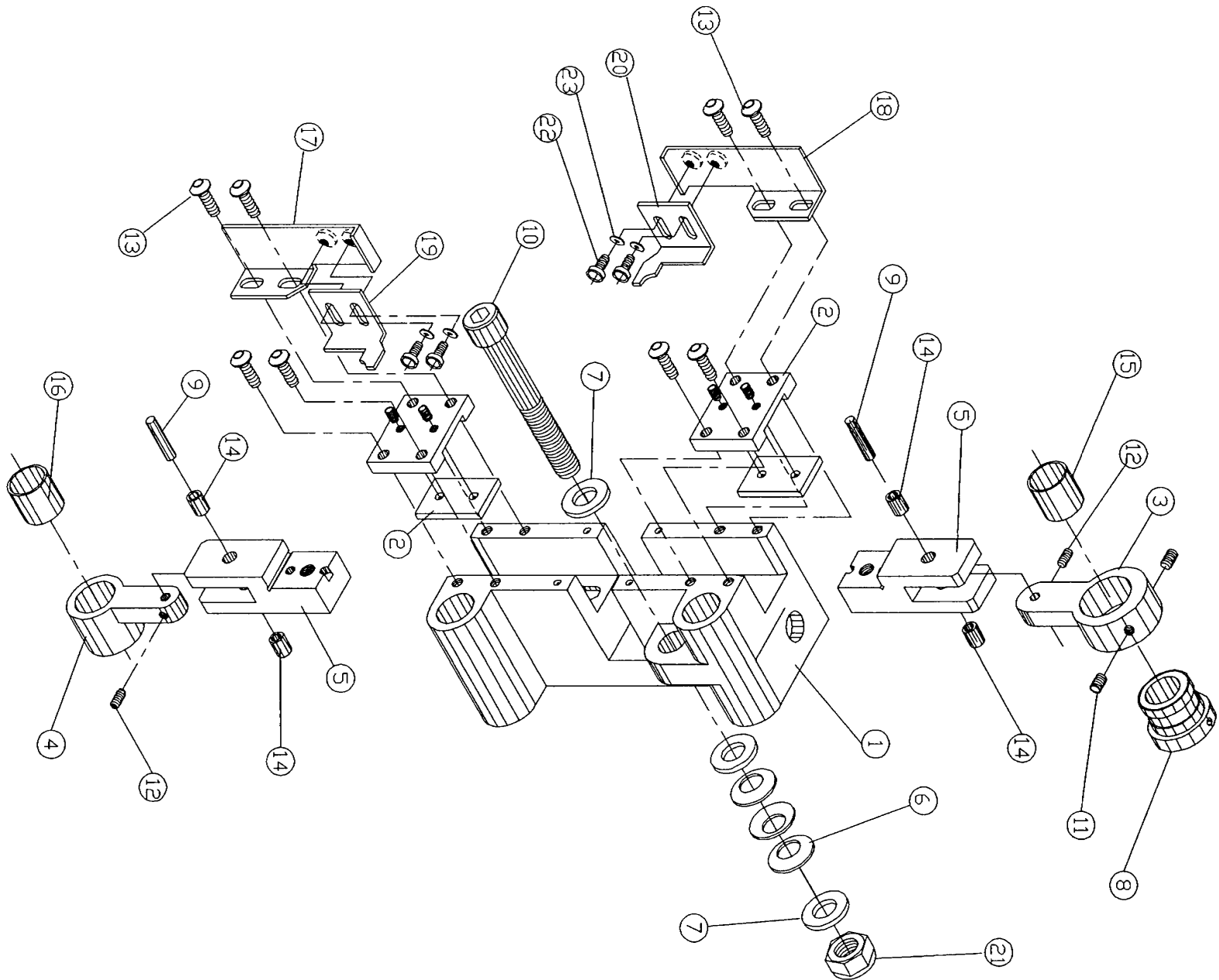
10-30-92 Bill of Material for Assembly 901-1-102
DIE BLOCK STATION #2

Effective As of: 10-15-92

| ITEM* | PART#..... | DESCRIPTION..... | QTY..... UM |
|-------|--------------|---------------------------|-------------|
| 1 | 901-1-1 | DIE BLOCK | 1 EA |
| 2 | 901-1-101 | COVER PLATE ASSEMBLY | 2 EA |
| 3 | 901-3-1 | LARGE CRANK | 1 EA |
| 4 | 901-1-4 | SMALL CRANK | 1 EA |
| 5 | 901-2-14 | SLIDE | 2 EA |
| 6 | 10/0197 | WASHER,BOW,SS | 3 EA |
| 7 | 901-3-7 | WASHER STEEL | 3 EA |
| 8 | 901-3-2 | ECCENTRIC BUSHING .015 | 1 EA |
| 9 | 801-1-12 | CRANK PIN | 2 EA |
| 10 | 901-1-5 | SCREW,ADJ | 1 EA |
| 11 | TACAN0832018 | SET.A.CU.STL. | AR EA |
| 12 | TACAN0440018 | SET.A.CU.STL. | AR EA |
| 13 | SACAN0632050 | SCREW,ALLEN,CAP | AR EA |
| 14 | L0001 | BUSHING 02DU03 | 4 EA |
| 15 | L0503 | BUSHING 06DU10 | 1 EA |
| 16 | L0601 | BUSHING 07DU08 | 1 EA |
| 17 | 901-3-9L | COMPONENT EJECTOR, LEFT | 1 EA |
| 18 | 901-3-9R | COMPONENT EJECTOR, RIGHT | 1 EA |
| 19 | 901-3-10L | COMPONENT EJECTOR, LEFT | 1 EA |
| 20 | 901-3-10R | COMPONENT EJECTOR, RIGHT | 1 EA |
| 21 | NSIA3118 | NUT, NYLON INSERT_5/16-18 | 1 EA |
| 22 | SACSN0440025 | SCREW,ALLEN,CAP | 4 EA |
| 23 | WFRAA004 | WASHER,FLAT,RG.#4 | 4 EA |
| N.S. | 801-1-20 | SCR,WASH FACE TH'B | 1 EA |

N.S. - Not Shown

N.S.S. - Not Sold Separately



GPD

Die Block Station #2 No. 901-1-102



10-30-92 Bill of Material for Assembly 901-3-101
TRANSFER BELT ASSEMBLY-LARGE STUD SIZE

Effective As of: 10-15-92

| ITEM* | PART#..... | DESCRIPTION..... | QTY..... | UM |
|-------|--------------|-------------------------|----------|----|
| 1 | N.S.S. | BELT,TIMING,ANTI-STATIC | 1 | EA |
| 2 | 901-3-3 | BRASS PIN | 14 | EA |
| 3 | SABAN0256012 | SCREW,ALLEN,BUTTON | AR | EA |

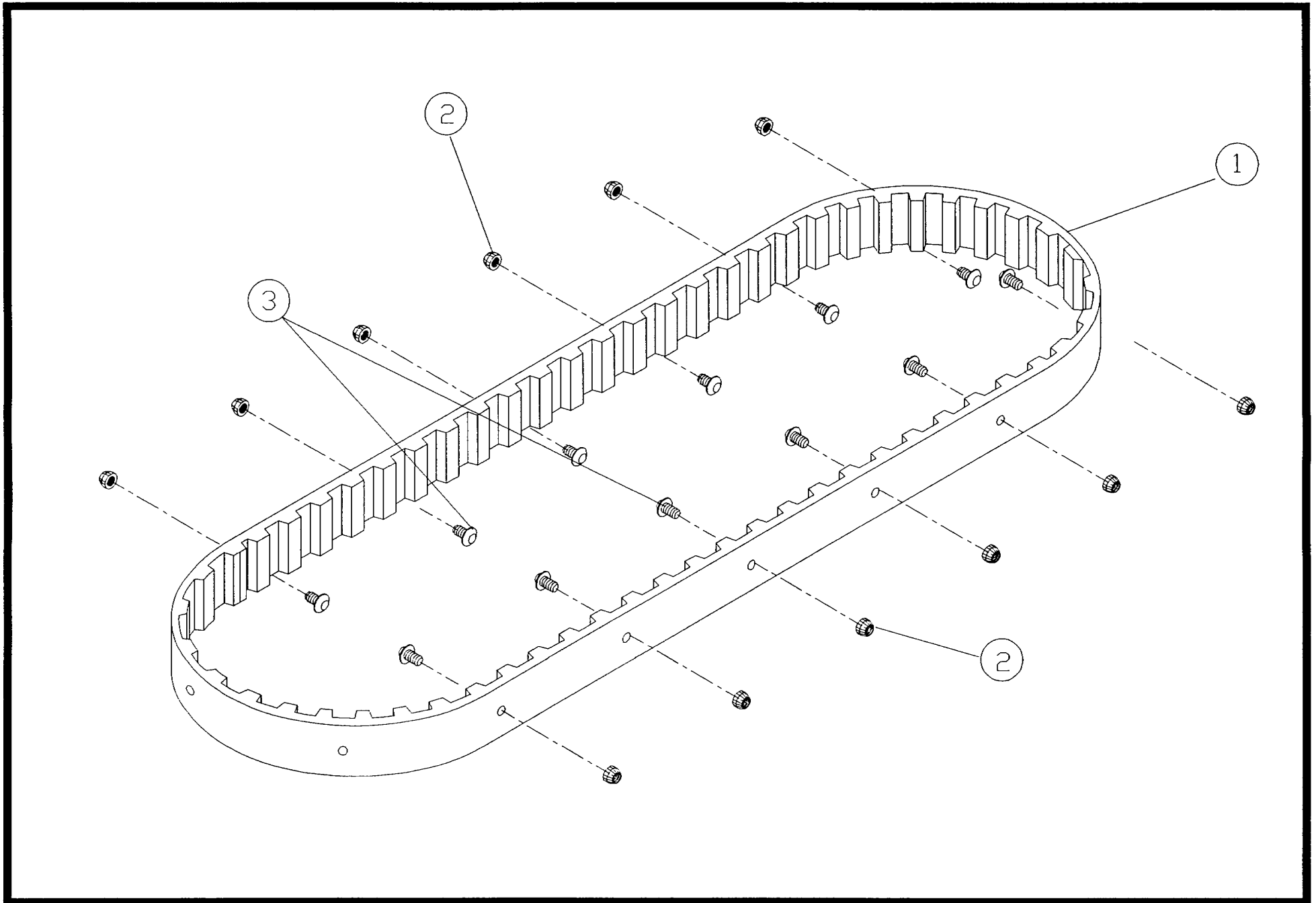
07-15-96 Bill of Material for Assembly 901-3-102
TRANSFER BELT ASSEMBLY-SMALL STUD SIZE

Effective As of: 07-15-96

| ITEM* | PART#..... | DESCRIPTION..... | QTY..... | UM |
|-------|--------------|-------------------------|----------|----|
| 1 | N.S.S. | BELT,TIMING,ANTI-STATIC | 1 | EA |
| 2 | 901-3-13 | BRASS PIN | 14 | EA |
| 3 | SABAN0256012 | SCREW,ALLEN,BUTTON | AR | EA |

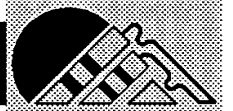
N.S. - Not Shown

N.S.S. - Not Sold Separately



GPD

Transfer Belt Assembly No. 901-3-101, 901-3-102



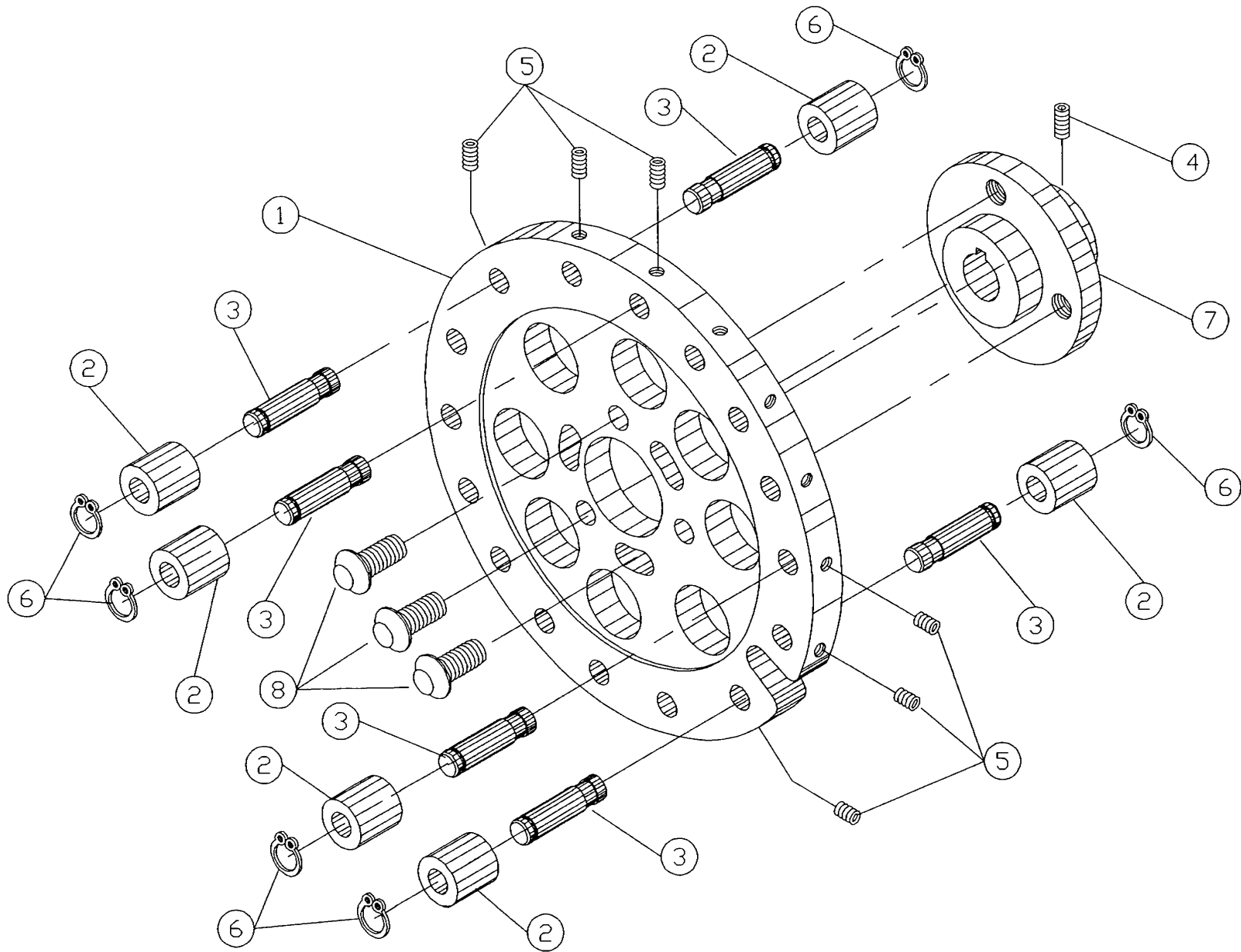
10-30-92 Bill of Material for Assembly 902-1-102
CAM FOLLOWER ASSEMBLY

Effective As of: 10-15-92

| ITEM* | PART#..... | DESCRIPTION..... | QTY..... | UM |
|-------|--------------|------------------------|----------|----|
| 1 | M.S.S. | CAM FOLLOWER | 1 | EA |
| 2 | 806-1-3 | ROLLER (CAM FOLLOWER) | 16 | EA |
| 3 | M.S.S. | SPIGOT (CAM FOLLOWER) | 16 | EA |
| 4 | TACAN0632025 | SET.A.CU.STL. | AR | EA |
| 5 | TACAN0632018 | SET.A.CU.STL. | AR | EA |
| 6 | G1007 | RETAINING RING 5100-25 | AR | EA |
| 7 | 806-1-11 | HUB (FOR CAM FOLLOWER) | 1 | EA |
| 8 | SABSN2520062 | SCREW, BUTTONHEAD | 3 | EA |

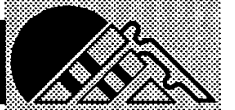
M.S. - Not Shown

M.S.S. - Not Sold Separately



GPD

Cam Follower Assembly No. 902-1-102



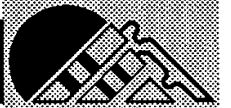
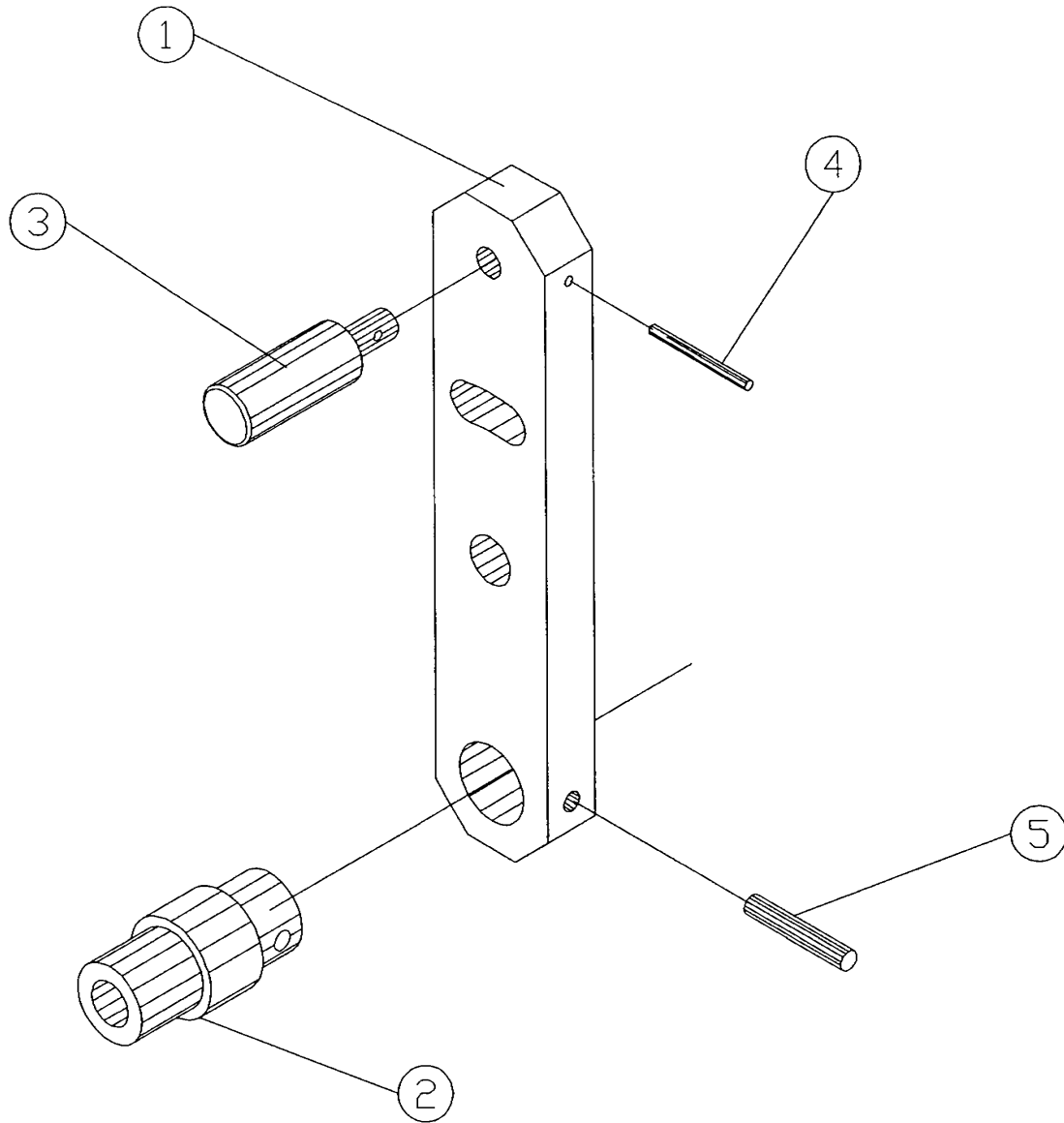
10-30-92 Bill of Material for Assembly 902-1-103
LEVER ASSEMBLY - BELT

Effective As of: 10-15-92

| ITEM* | PART#..... | DESCRIPTION..... | QTY..... | UM |
|-------|------------|------------------|----------|----|
| 1 | N.S.S. | LEVER | 1 | EA |
| 2 | N.S.S. | PIN | 1 | EA |
| 3 | N.S.S. | HANDLE | 1 | EA |
| 4 | RPAS06075 | PIN, ROLL | AR | EA |
| 5 | RPAS12075 | PIN, ROLL | AR | EA |

N.S. - Not Shown

N.S.S. - Not Sold Separately



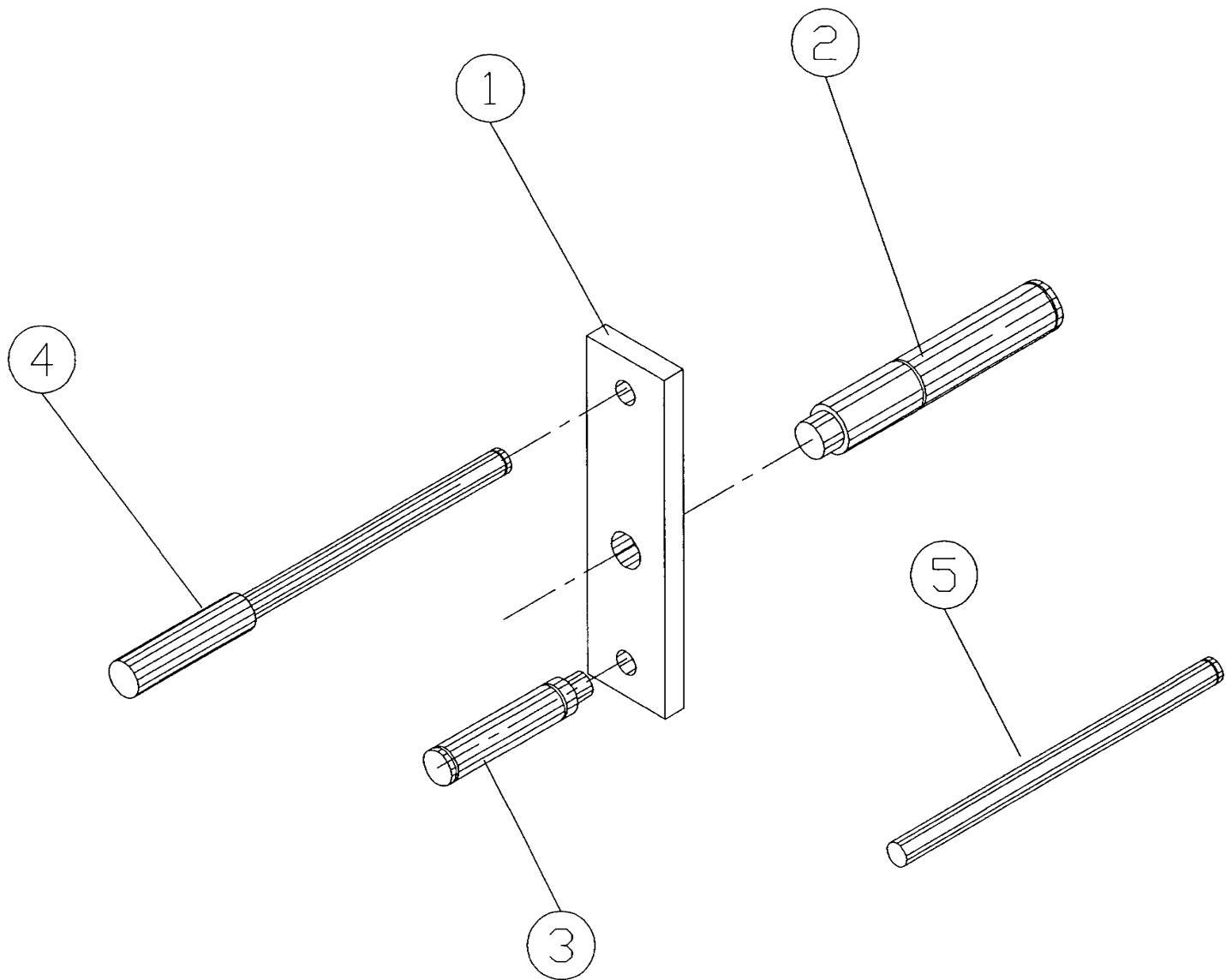
10-30-92 Bill of Material for Assembly 903-1-104
LEVER ASSEMBLY - TOP

Effective As of: 10-15-92

| ITEM* | PART#..... | DESCRIPTION..... | QTY..... | UM |
|-------|------------|------------------|----------|----|
| 1 | N.S.S. | LEVER | 1 | EA |
| 2 | N.S.S. | PIN | 1 | EA |
| 3 | N.S.S. | PIN | 1 | EA |
| 4 | N.S.S. | SPRING PIN | 1 | EA |
| 5 | N.S.S. | PIN | 1 | EA |

N.S. - Not Shown

N.S.S. - Not Sold Separately



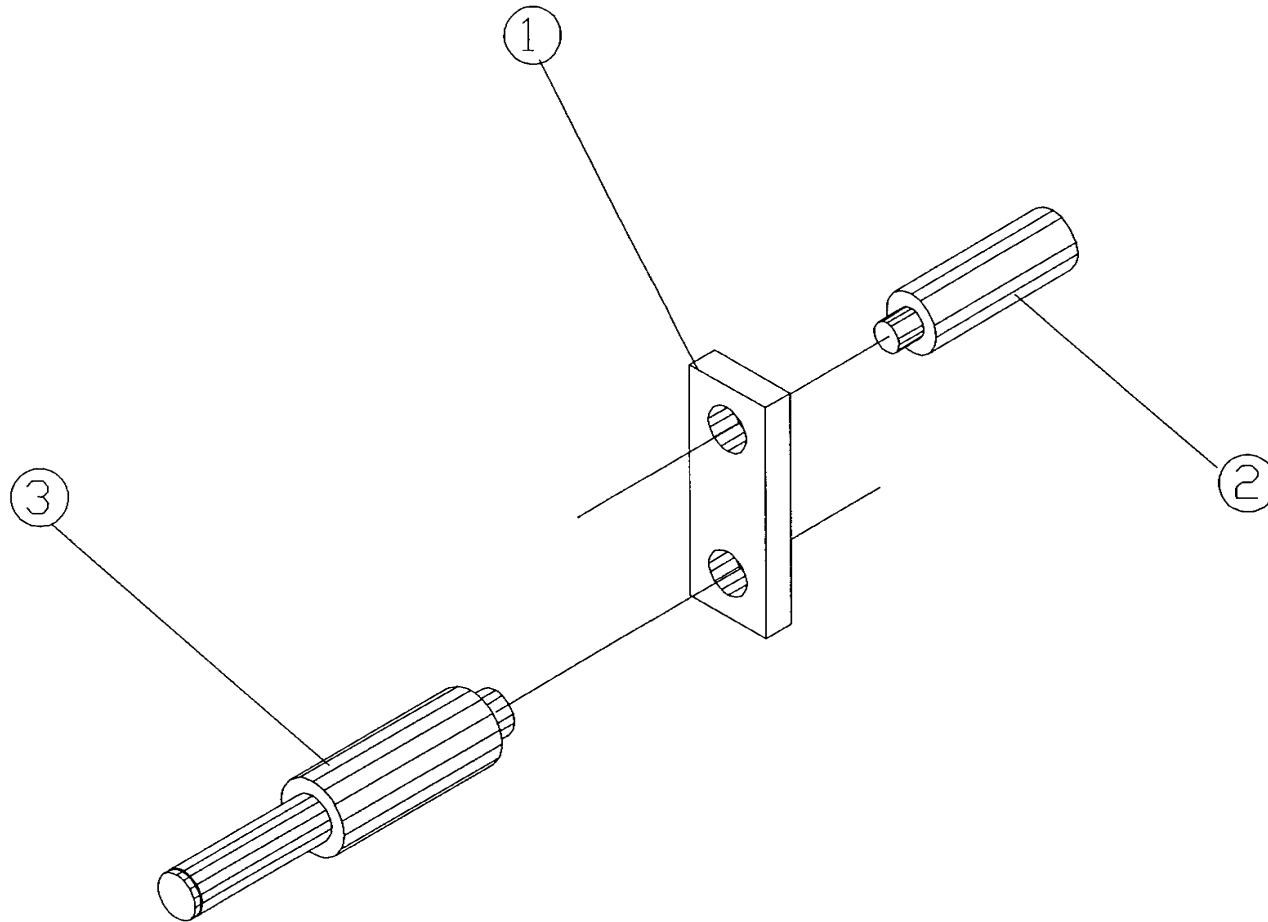
10-30-92 **Bill of Material for Assembly 903-1-105**
LEVER ASSEMBLY - BOTTOM

Effective As of: 10-15-92

| ITEM* | PART#..... | DESCRIPTION..... | QTY..... | UM |
|-------|------------|------------------|----------|----|
| 1 | N.S.S. | LEVER | 1 | EA |
| 2 | N.S.S. | PIN | 1 | EA |
| 3 | N.S.S. | PIN | 1 | EA |

N.S. - Not Shown

N.S.S. - Not Sold Separately



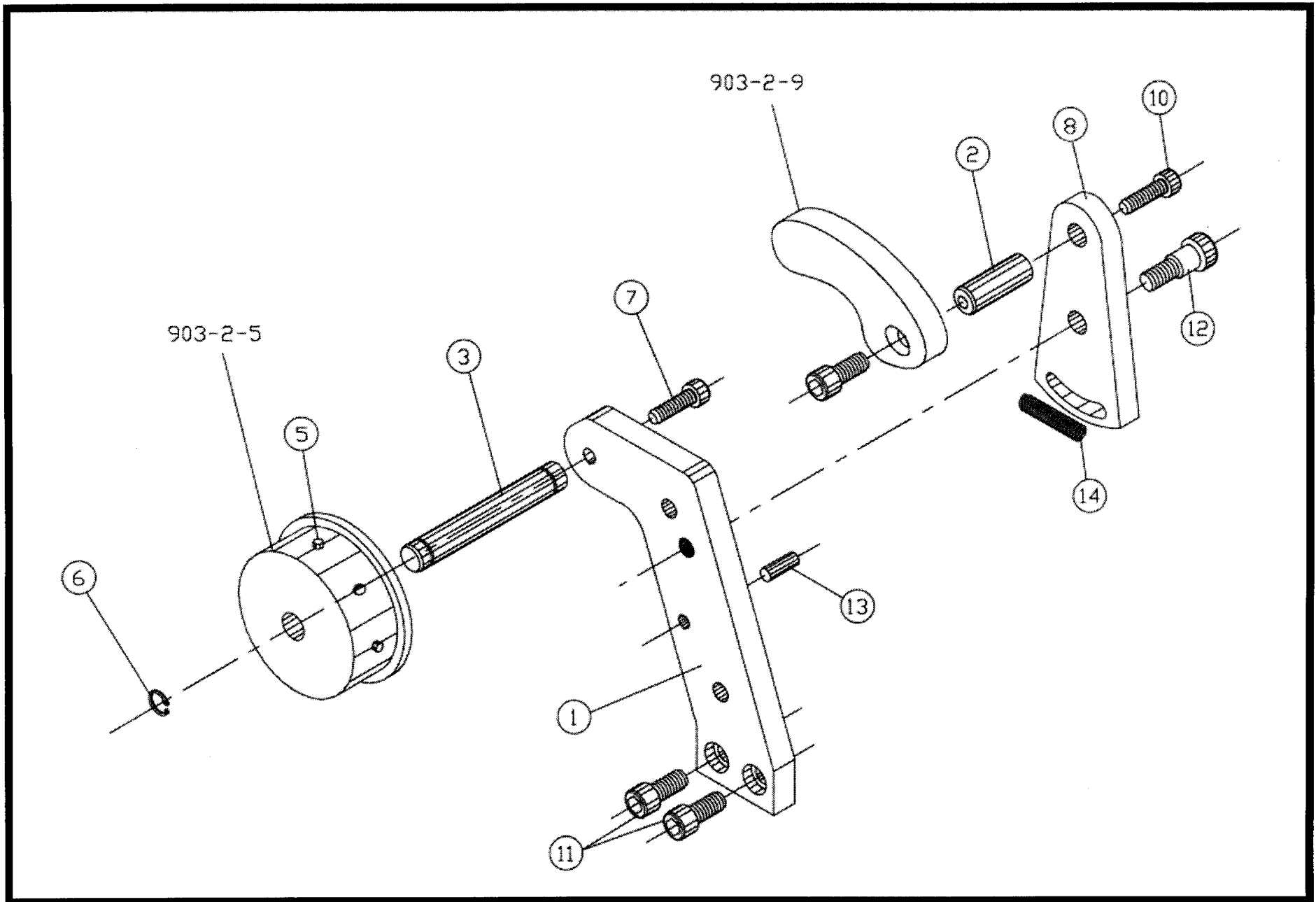
05-22-02 Bill of Material for Assembly 903-2-110
 INFEEED ARM ASSY WITH SPRING

Effective As of: 05-22-02

| ITEM* | PART#..... | DESCRIPTION..... | QTY..... | UM |
|-------|--------------|--------------------------|----------|----|
| 1 | 903-2-1 | INFEEED ARM - LARGE | 1 | EA |
| 2 | 903-2-2 | SUPPORT PIN - SM. ROLLER | 1 | EA |
| 3 | N.S. | | | |
| 4 | N.S. | | | |
| 5 | G2509 | PIN,DOWEL | AR | EA |
| 6 | G1013 | RETAINING RING 5100-37 | AR | EA |
| 7 | SACAN1032062 | SCREW,ALLEN,CAP | AR | EA |
| 8 | 903-2-10 | INFEEED ARM - SMALL | 1 | EA |
| 9 | N.S. | | | |
| 10 | SACAN1032100 | SCREW,ALLEN,CAP | AR | EA |
| 11 | SACAN2520050 | SCREW,ALLEN,CAP | AR | EA |
| 12 | F4959 | SHOULDER BOLT | 1 | EA |
| 13 | DA18050 | PIN, DOWEL | AR | EA |
| 14 | S0020 | COMPRESSION SPRING | 1 | EA |
| | 903-2-101 | ROLLER GUIDE ASSY. | 1 | EA |

N.S. - Not Shown

N.S.S. - Not Sold Separately



GPD

Infeed Arm Assembly with Spring No. 903-2-110



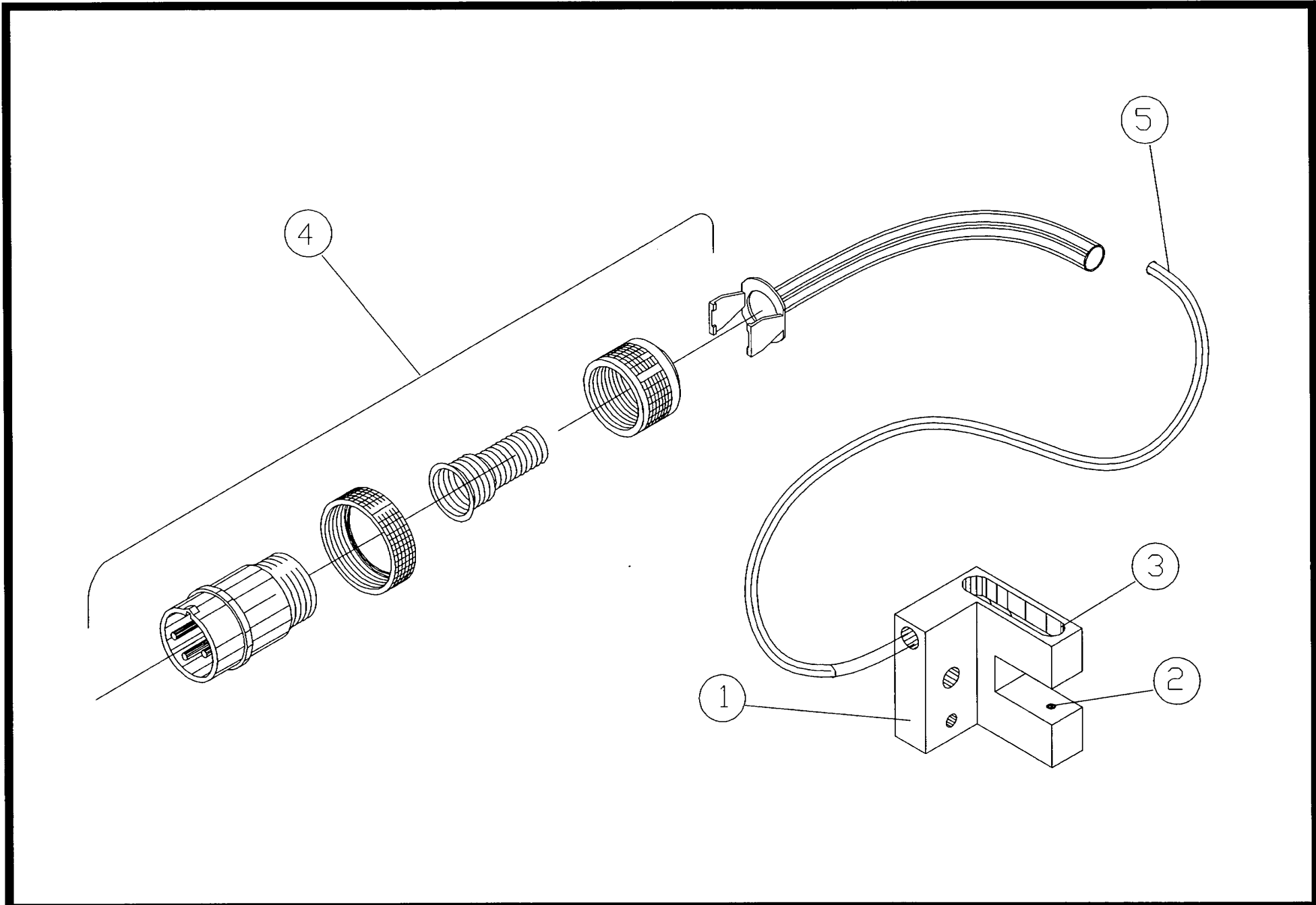
10-30-92 Bill of Material for Assembly 903-108
CF9 COUNTER BRACKET

Effective As of: 10-15-92

| ITEM* | PART#..... | DESCRIPTION..... | QTY..... | UM |
|-------|------------|---------------------|----------|----|
| 1 | 903-2-6 | COUNTER BRACKET | 1 | EA |
| 2 | 3700-0008 | EMITTER IR | 1 | EA |
| 3 | 3700-0009 | DETECTOR IR | 1 | EA |
| 4 | 2100-0053 | CONNECTOR,PLUG | 1 | EA |
| 5 | 6000-0015 | COAXIAL CABLE | 60 | IN |
| N.S. | 2800-0014 | HARDWARE ELECTRICAL | 1 | EA |

N.S. - Not Shown

N.S.S. - Not Sold Separately



GPD

Counter Bracket No. 903-108



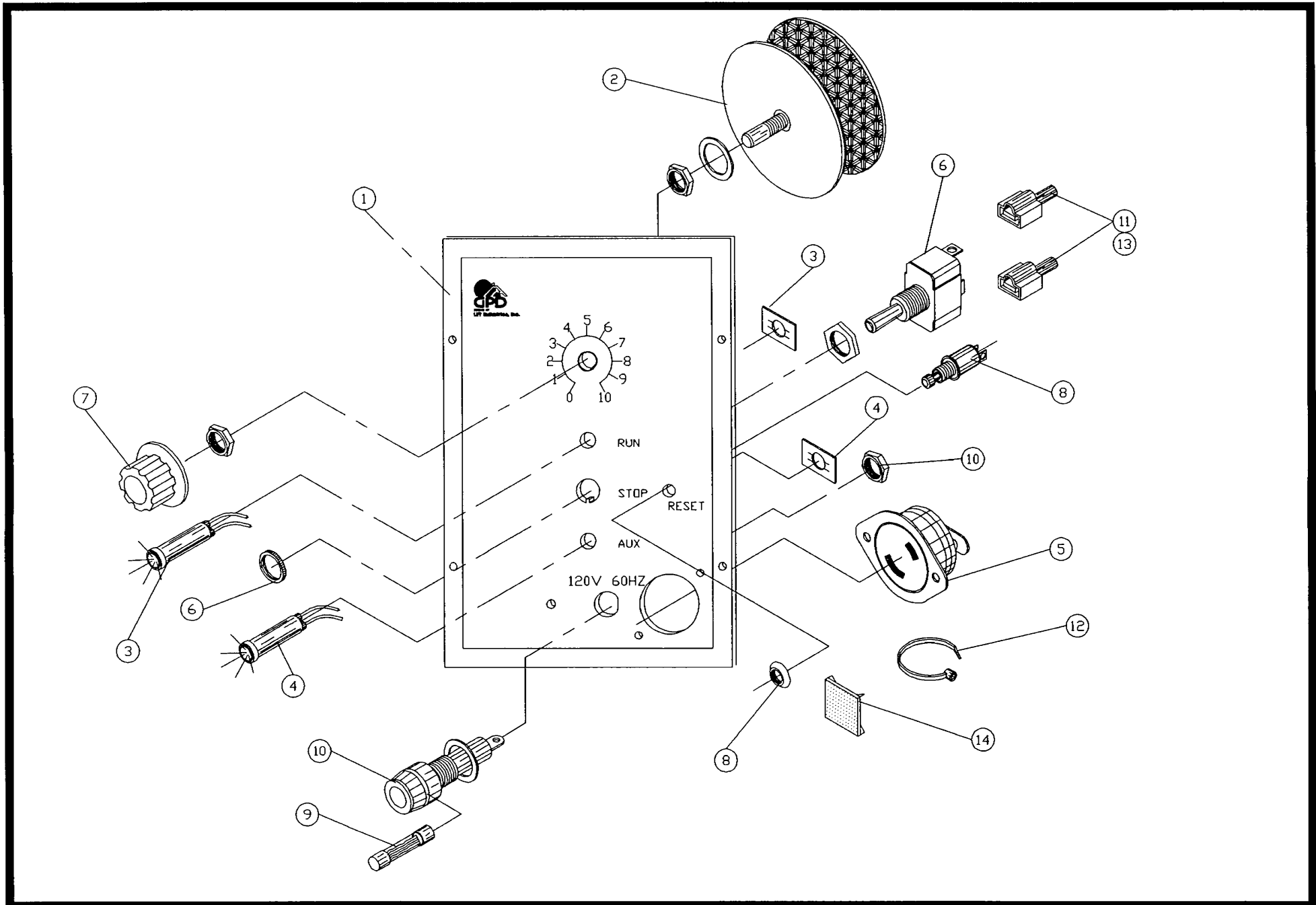
10-30-92 Bill of Material for Assembly 906-3-1
CONTROL UNIT, 120V 60Hz

Effective As of: 10-15-92

| ITEM* | PART#..... | DESCRIPTION..... | QTY..... | UM |
|-------|----------------|--------------------------|----------|----|
| 1 | 1400-0007 | PANEL,FRONT | 1 | EA |
| 2 | 2200-0008 | SPEED CONTROL 120V 60HZ | 1 | EA |
| 3 | 2450-0017 | PILOT LIGHT 110V RED | 1 | EA |
| 4 | 2450-0015 | PILOT LIGHT 110V ORANGE | 1 | EA |
| 5 | 2800-0007 | CONNECTOR AC | 1 | EA |
| 6 | 5100-0037 | SWITCH,TOGGLE | 1 | EA |
| 7 | 2400-0006 | KNOB 1/4" SHAFT | 1 | EA |
| 8 | 5100-0024 | SWITCH,PUSH BUTTON | 1 | EA |
| 9 | 4300-0026 | FUSE,SLOW BLOW | 1 | EA |
| 10 | 4300-0001 | FUSE HOLDER,PANEL MOUNT | 1 | EA |
| 11 | 2100-0121 | CONNECTOR,TERMINAL | AR | EA |
| 12 | 2800-0028 | WIRE TIES | 2 | EA |
| 13 | 2100-0124 | CONNECTOR,TERMINAL | 9 | EA |
| 14 | 2800-0029 | STICK DOWN PADS 1/2" | 1 | EA |
| N.S. | 6000-20-HU-BRN | WIRE, 20AWG HOOKUP/BROWN | AR | IN |
| N.S. | 6000-20-HU-RED | WIRE, 20AWG HOOKUP/RED | AR | IN |
| N.S. | 6000-20-HU-BLU | WIRE, 20AWG HOOKUP/BLU | AR | IN |
| N.S. | 6000-20-HU-WHT | WIRE, 20AWG HOOKUP/WHITE | AR | IN |
| N.S. | 6000-20-HU-BLK | WIRE, 20AWG HOOKUP/BLACK | AR | IN |

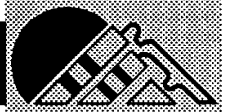
N.S. - Not Shown

N.S.S. - Not Sold Separately



GPD

Control Unit, 120V 60Hz No. 906-3-1



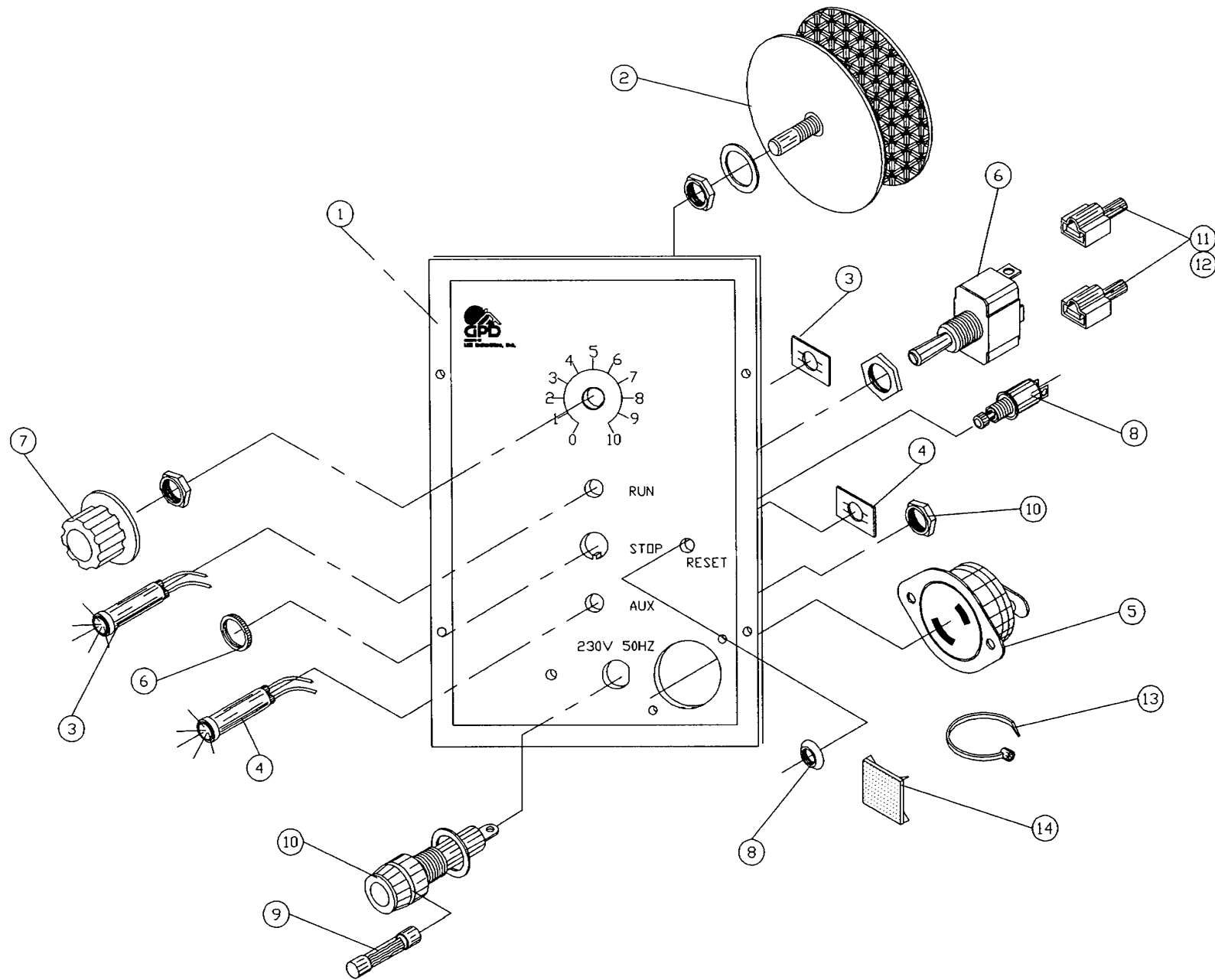
10-30-92 Bill of Material for Assembly 906-3-2
CONTROL UNIT, 230V 50/60Hz

Effective As of: 10-15-92

| ITEM* | PART#..... | DESCRIPTION..... | QTY..... | UM |
|-------|----------------|--------------------------|----------|----|
| 1 | 1400-0007 | PANEL,FRONT | 1 | EA |
| 2 | 2200-0014 | SPEED CONTROL 230V 50HZ | 1 | EA |
| 3 | 2450-0018 | RED INDICATOR | 1 | EA |
| 4 | 2450-0016 | AMBER INDICATOR | 1 | EA |
| 5 | 2800-0007 | CONNECTOR AC | 1 | EA |
| 6 | 5100-0037 | SWITCH,TOGGLE | 1 | EA |
| 7 | 2400-0006 | KNOB 1/4" SHAFT | 1 | EA |
| 8 | 5100-0024 | SWITCH,PUSH BUTTON | 1 | EA |
| 9 | 4300-0025 | FUSE,SLOW BLOW | 1 | EA |
| 10 | 4300-0001 | FUSE HOLDER,PANEL MOUNT | 1 | EA |
| 11 | 2100-0121 | CONNECTOR,TERMINAL | AR | EA |
| 12 | 2100-0124 | CONNECTOR,TERMINAL | 9 | EA |
| 13 | 2800-0028 | WIRE TIES | 2 | EA |
| 14 | 2800-0029 | STICK DOWN PADS 1/2" | 1 | EA |
| N.S. | 6000-20-HU-BRN | WIRE, 20AWG HOOKUP/BROWN | AR | IN |
| N.S. | 6000-20-HU-RED | WIRE, 20AWG HOOKUP/RED | AR | IN |
| N.S. | 6000-20-HU-BLU | WIRE, 20AWG HOOKUP/BLU | AR | IN |
| N.S. | 6000-20-HU-WHT | WIRE, 20AWG HOOKUP/WHITE | AR | IN |
| N.S. | 6000-20-HU-BLK | WIRE, 20AWG HOOKUP/BLACK | AR | IN |

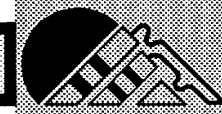
N.S. - Not Shown

N.S.S. - Not Sold Separately



GPD

Control Unit, 230V 50/60Hz No. 906-3-2



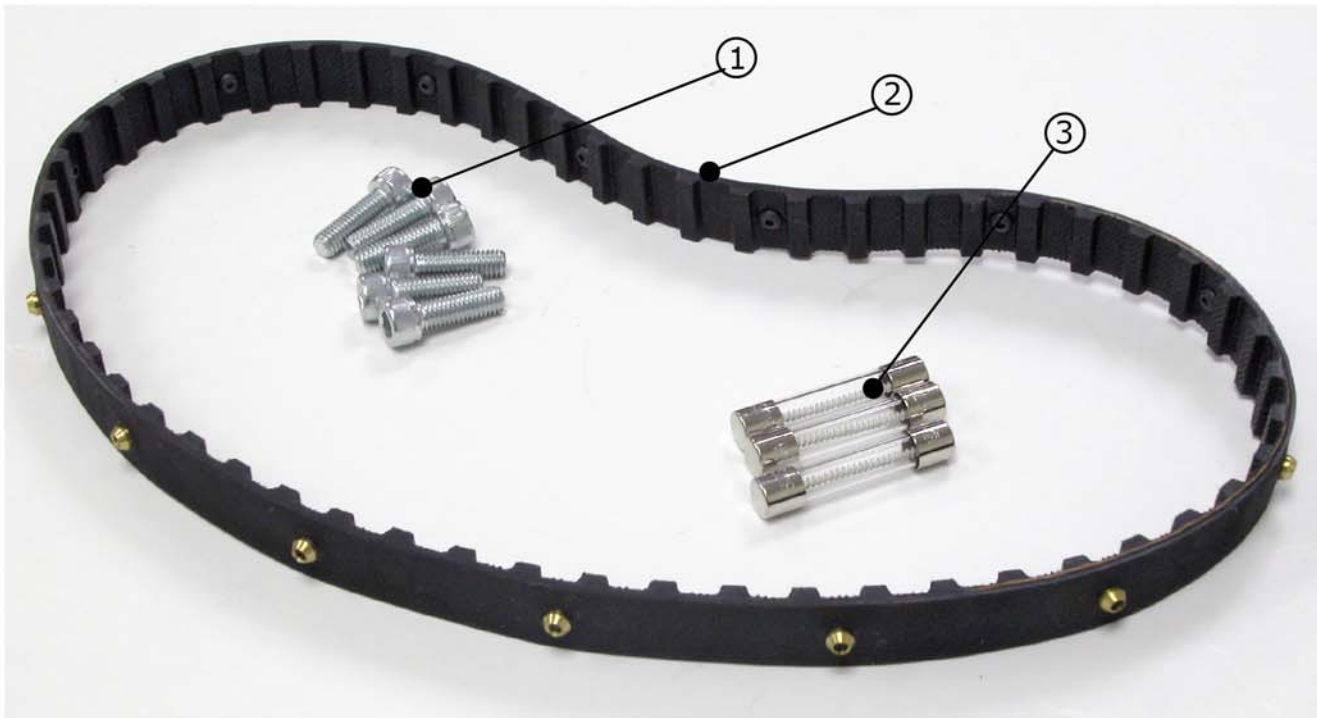
11-03-11 Bill of Material for Assembly 925-1-2
SPARE PARTS KIT, 120V

Effective As of: 11-03-11

| ITEM* | PART#..... | DESCRIPTION..... | QTY..... | UM |
|-------|--------------|------------------|----------|----|
| 1 | SACAN1032062 | DIE SCREW | 6 | EA |
| 2 | 901-3-10 | TRANSFER BELT | 1 | EA |
| 3 | 4300-0026 | FUSE,SLOW BLOW | 3 | EA |

N.S. - Not Shown

N.S.S. - Not Sold Separately



GPD

Spare Parts Kit, 120V No. 925-1-2



10-30-92 **Bill of Material for Assembly 925-1-3**
SPARE PARTS KIT, 230V

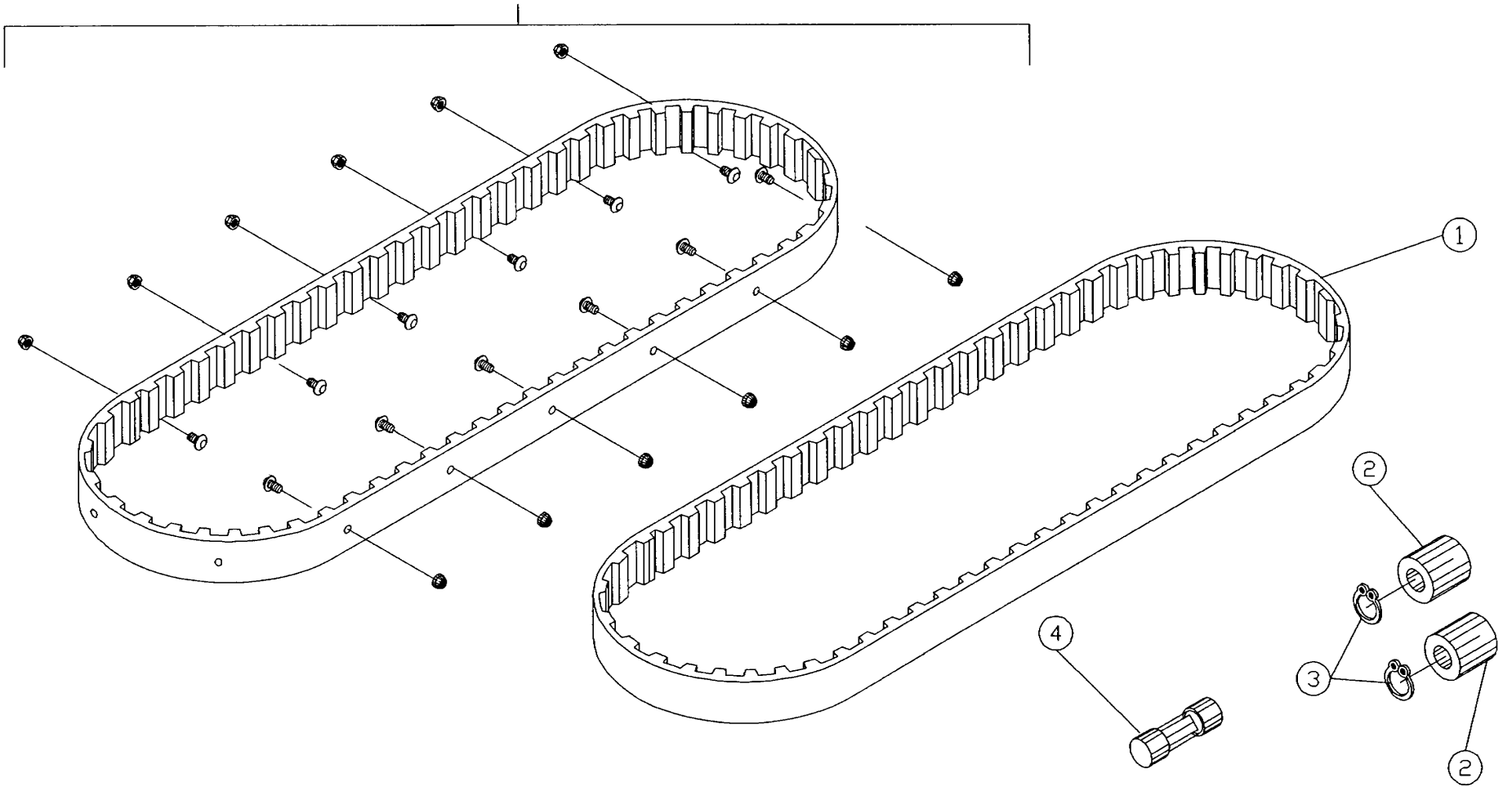
Effective As of: 10-15-92

| ITEM* | PART#..... | DESCRIPTION..... | QTY..... | UM |
|-------|------------|------------------------|----------|----|
| 1 | D0001 | MOTOR BELT | 1 | EA |
| 2 | 806-1-3 | ROLLER (CAM FOLLOWER) | 16 | EA |
| 3 | G1007 | RETAINING RING 5100-25 | 16 | EA |
| 4 | 4300-0025 | FUSE,SLOW BLOW | 1 | EA |
| | 901-3-101 | BELT ASSEMBLY | 1 | EA |

N.S. - Not Shown

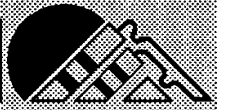
N.S.S. - Not Sold Separately

ASSY
901-3-101



GPD

Spare Parts Kit, 230V No. 925-1-3



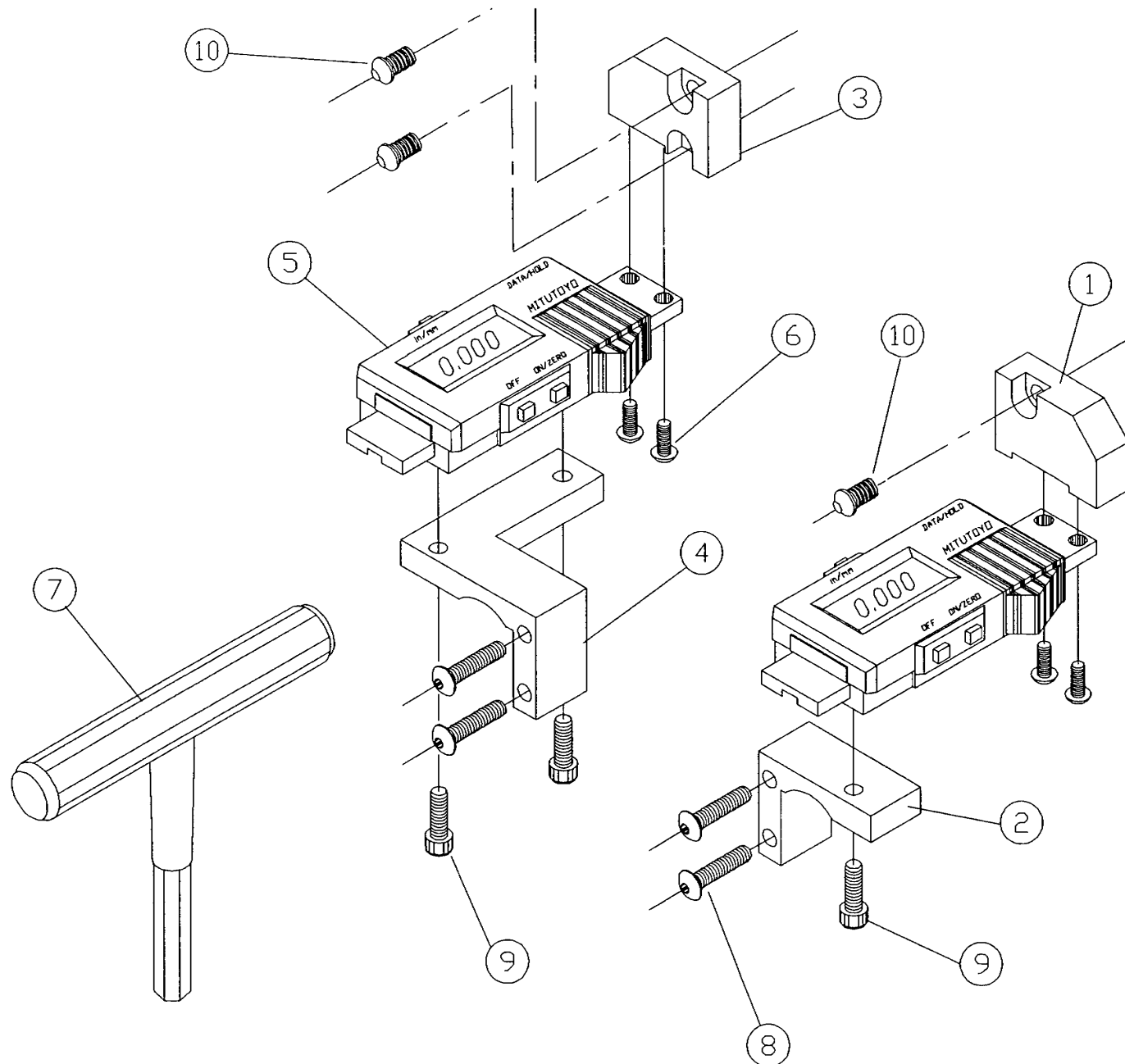
10-30-92 Bill of Material for Assembly 925-111
CF9 MICROMETER ADJUSTMENT PACKAGE

Effective As of: 10-15-92

| ITEM* | PART#..... | DESCRIPTION..... | QTY..... | UM |
|-------|--------------|-------------------------|----------|----|
| 1 | 925-1-7 | SCALE MOUNT | 1 | EA |
| 2 | 925-1-8 | SCALE MOUNT | 1 | EA |
| 3 | 925-1-9 | SCALE MOUNT | 1 | EA |
| 4 | 925-1-10 | SCALE MOUNT | 1 | EA |
| 5 | 925-1-4 | SCALE MODIFIED WITH LCD | 2 | EA |
| 6 | SABAN0632025 | SCREW,ALLEN,BUTTON | 2 | EA |
| 7 | 813-1-15 | WRENCH 1/4 "T" | 1 | EA |
| 8 | SACAN0632100 | SCREW,ALLEN,CAP | 4 | EA |
| 9 | SACAN0440037 | SCREW,ALLEN,CAP | 1 | EA |
| 10 | SACAN0632050 | SCREW,ALLEN,BUTTON | 3 | EA |

N.S. - Not Shown

N.S.S. - Not Sold Separately



GPD

Micrometer Adjustment Package No. 925-111



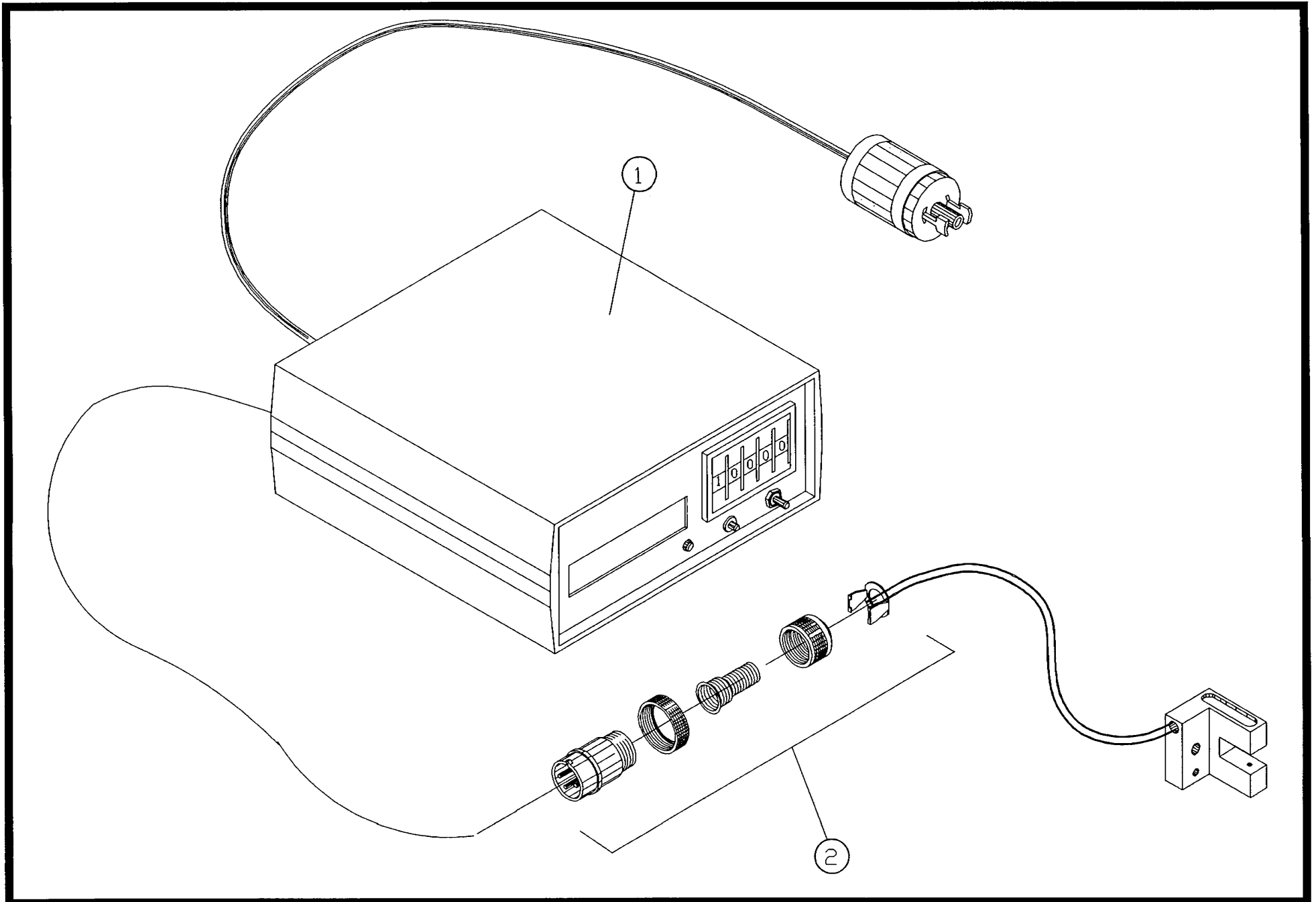
10-30-92 **Bill of Material for Assembly 925-112**
CF9 COUNTER PACKAGE, 120 VOLT

Effective As of: 10-15-92

| ITEM* | PART#..... | DESCRIPTION..... | QTY..... | UM |
|-------|------------|---------------------|----------|----|
| 1 | CC789-1 | PRESET COUNTER-120V | 1 | EA |
| 2 | 903-108 | CF9 COUNTER BRACKET | 1 | EA |

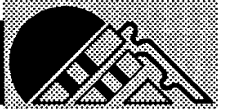
N.S. - Not Shown

N.S.S. - Not Sold Separately



GPD

Counter Package 120V No. 925-112



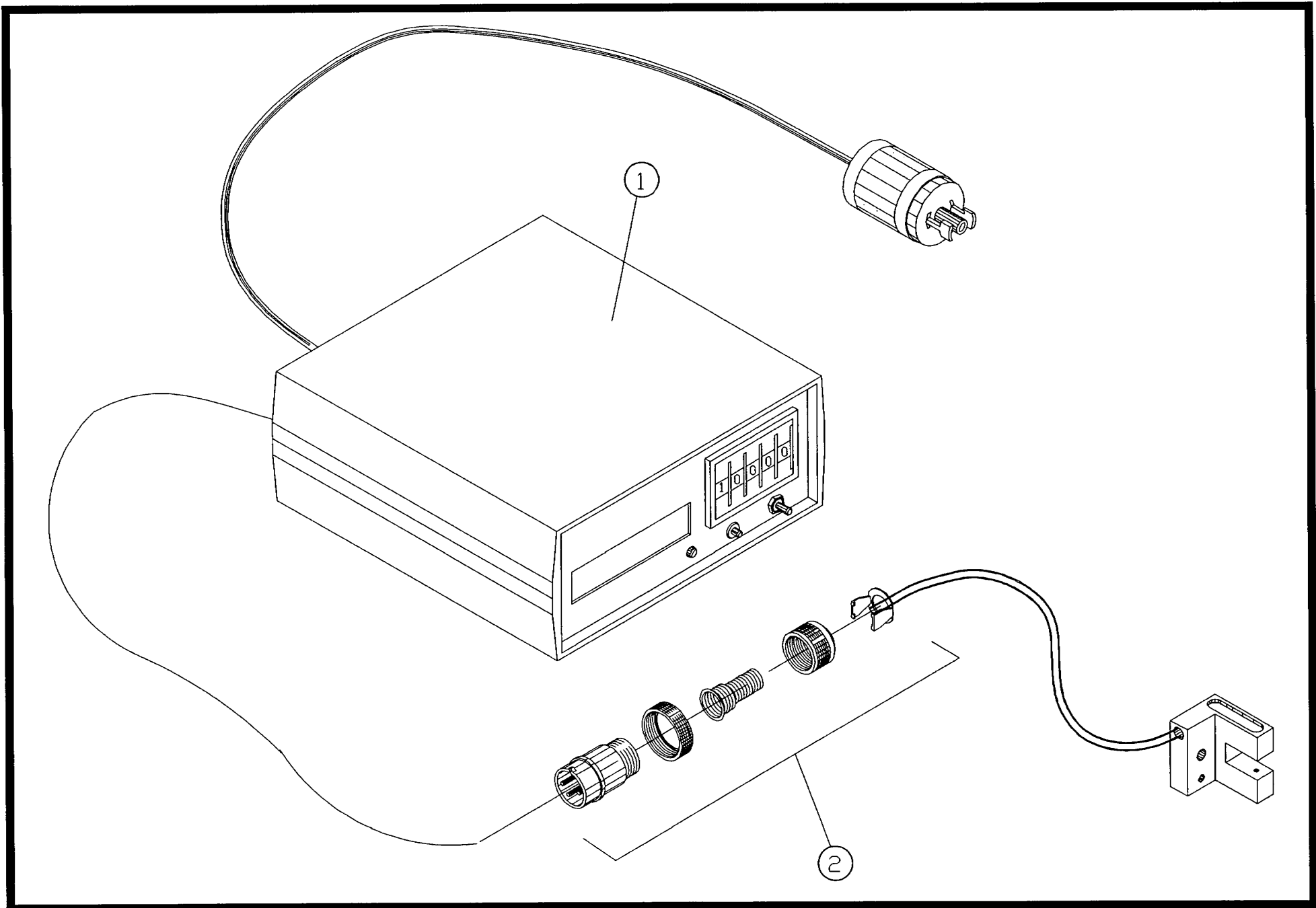
10-30-92 **Bill of Material for Assembly 925-113**
CF9 COUNTER PACKAGE, 230V

Effective As of: 10-15-92

| ITEM* | PART#..... | DESCRIPTION..... | QTY..... | UM |
|-------|------------|---------------------|----------|----|
| 1 | CC789-2 | PRESET COUNTER-230V | 1 | EA |
| 2 | 903-108 | CF9 COUNTER BRACKET | 1 | EA |

N.S. - Not Shown

N.S.S. - Not Sold Separately



GPD

Counter Package 230V No. 925-113



