

CF-10
Radial Component Lead Forming Machine

**Bills of Material
&
Exploded Views**

Version 1.1A

Copyright (C) 1994-2004 GPD Global®
All Rights Reserved

GPD Global®
611 Hollingsworth Street
Grand Junction, CO 81505
(970) 245-0408
FAX (303) 245-9674

SECTION I

ILLUSTRATED PARTS LIST

DESCRIPTION	MODULE
Illustrated Parts List - How to Use	0-1
Die Block Assembly	1-1
Shuttle Assembly	2-1
Belt Clamp Assembly	3-1
In-line Feeder Assembly	4-1
Blow-off Assembly	5-1
Vacuum Assembly	6-1
Front Shield Assembly	7-1
Side Panel Assembly	8-1
Control Panel Assembly	9-1
Control Panel Assembly - LH	10-1
General Assembly - 1	11-1
General Assembly - 2	12-1
General Assembly - 3	13-1
Limit Switch Assembly	14-1
Cam Follower Assembly	15-1
Guard Assembly	16-1
Table Assembly	17-2

SECTION II

TECHNICAL DATA

DESCRIPTION	MODULE
Air Schematic - Table Unit without Vacuum	2
Air Schematic - Table Unit with Vacuum	4
Air Schematic - Stand Alone Unit	6

ILLUSTRATED PARTS LIST

HOW TO USE:

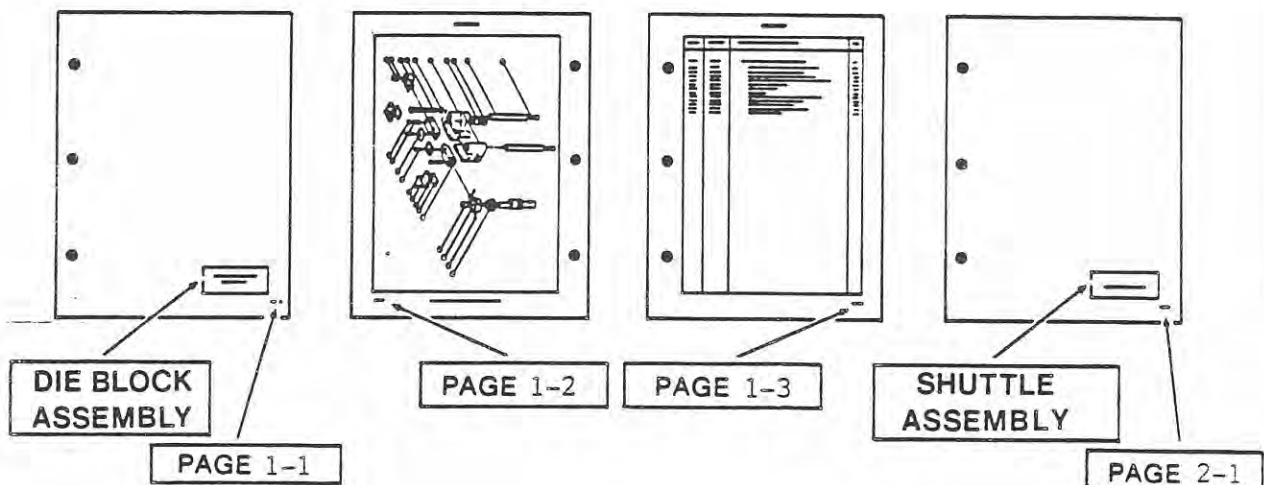
The parts lists are designed to enable the customer to speedily identify parts required.

It will be noted that the parts lists are constructed in a modular form. e.g.

<u>DESCRIPTION</u>	<u>MODULE NO.</u>
DIE BLOCK ASSEMBLY	1-1
SHUTTLE ASSEMBLY	2-1
BELT CLAMP ASSEMBLY	3-1

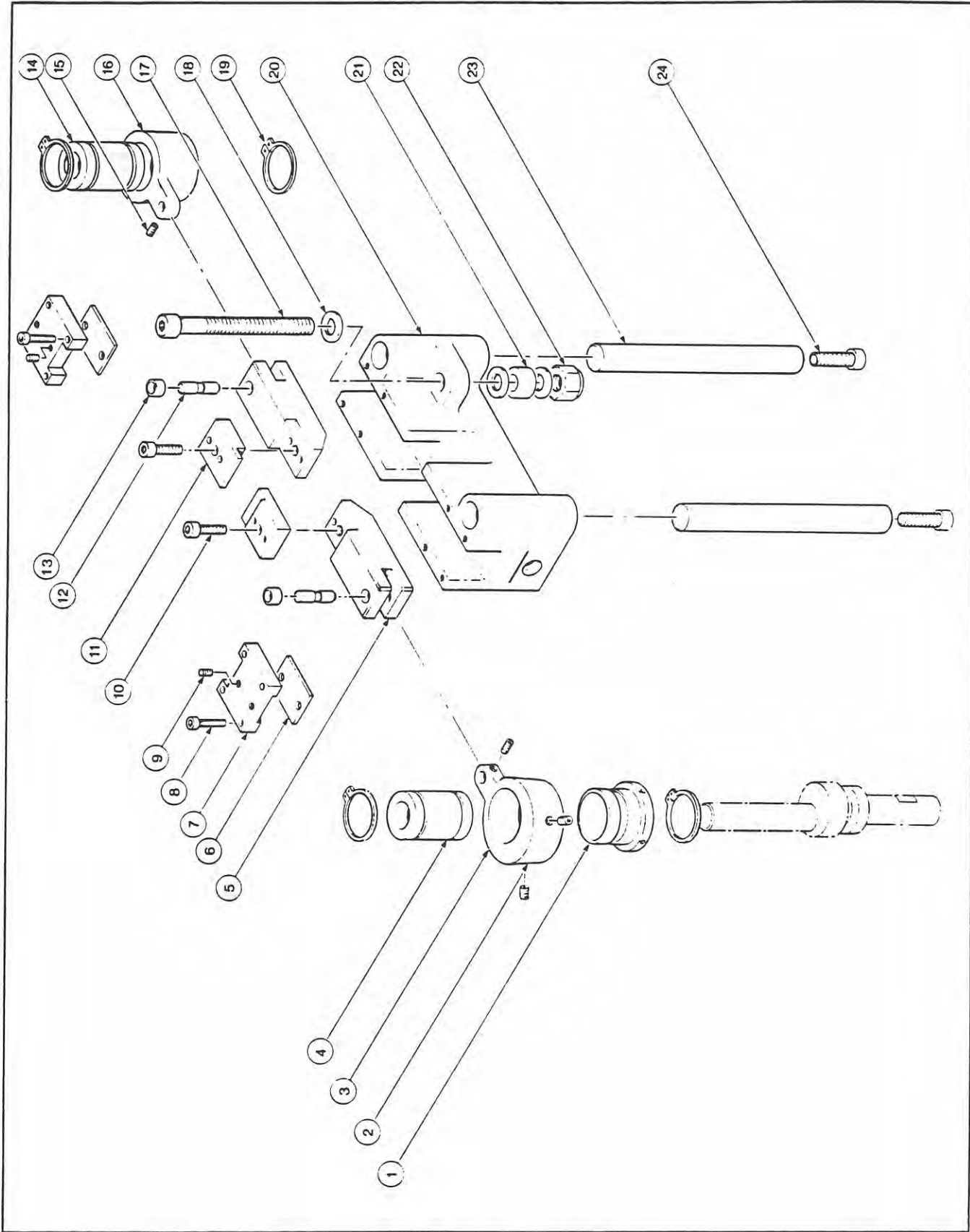
This convenient method of compiling the parts list not only enables the users to trace and identify parts quickly, but also facilitates easy replacement or the addition of modules when necessary through updating.

Each module is page numbered individually - that is, not sequential throughout the parts list.



All numbers on the illustrations are shown thus: 1 encircled, except when an assembly is involved the number will then be shown as 1 in a square.

DIE BLOCK ASSEMBLY

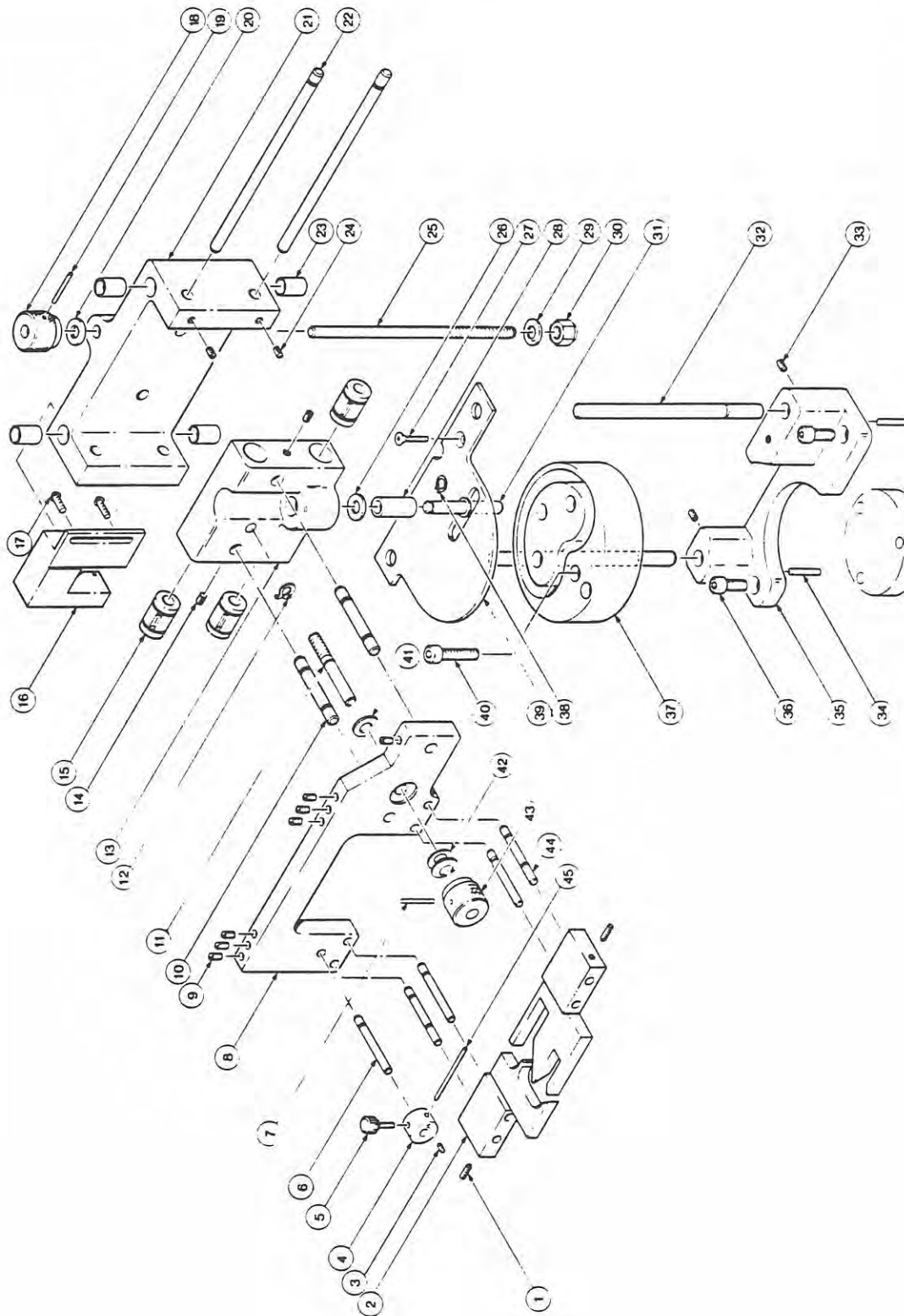


DIE BLOCK ASSEMBLY



ITEM	PART NO.	DESCRIPTION	QTY.
	1001-1-0E	DIE BLOCK ASSEMBLY	
1	1001-3-1	Crank Adjuster	1
2	F 3803	Set Screw	2
3	1001-3-3	Adjustment Crank	1
4	B 0100	Linear Rotary Bearing	2
5	1001-1-5	Sliding Block	2
6	1001-1-3	Slide Pad	2
7	1001-1-2	Cover Plate	2
8	F 3154	Socket Head Cap Screw	8
9	F 3807	Set Screw	4
10	F 4153	Socket Head Cap Screw	2
11	Option	Die	-
12	1001-2-2	Crank Connecting Pin	2
13	L 0201	DU Bushing	4
14	L 0702	DU Bushing	1
15	F 2301	Set Screw	2
16	1001-1-6	Crank	1
17	1001-1-1	Adjustment Screw	1
18	901-3-7	Washer	3
19	1001-2-1	Retaining Ring - External	4
20	1001-2-1	Die Block	1
21	901-3-6	Polyurethane Spring	1
22	F 5001	Nylon Locknut	1
23	1002-5-1	Guide Shaft	2
24	F 4654	Socket Head Cap Screw	2

SHUTTLE ASSEMBLY

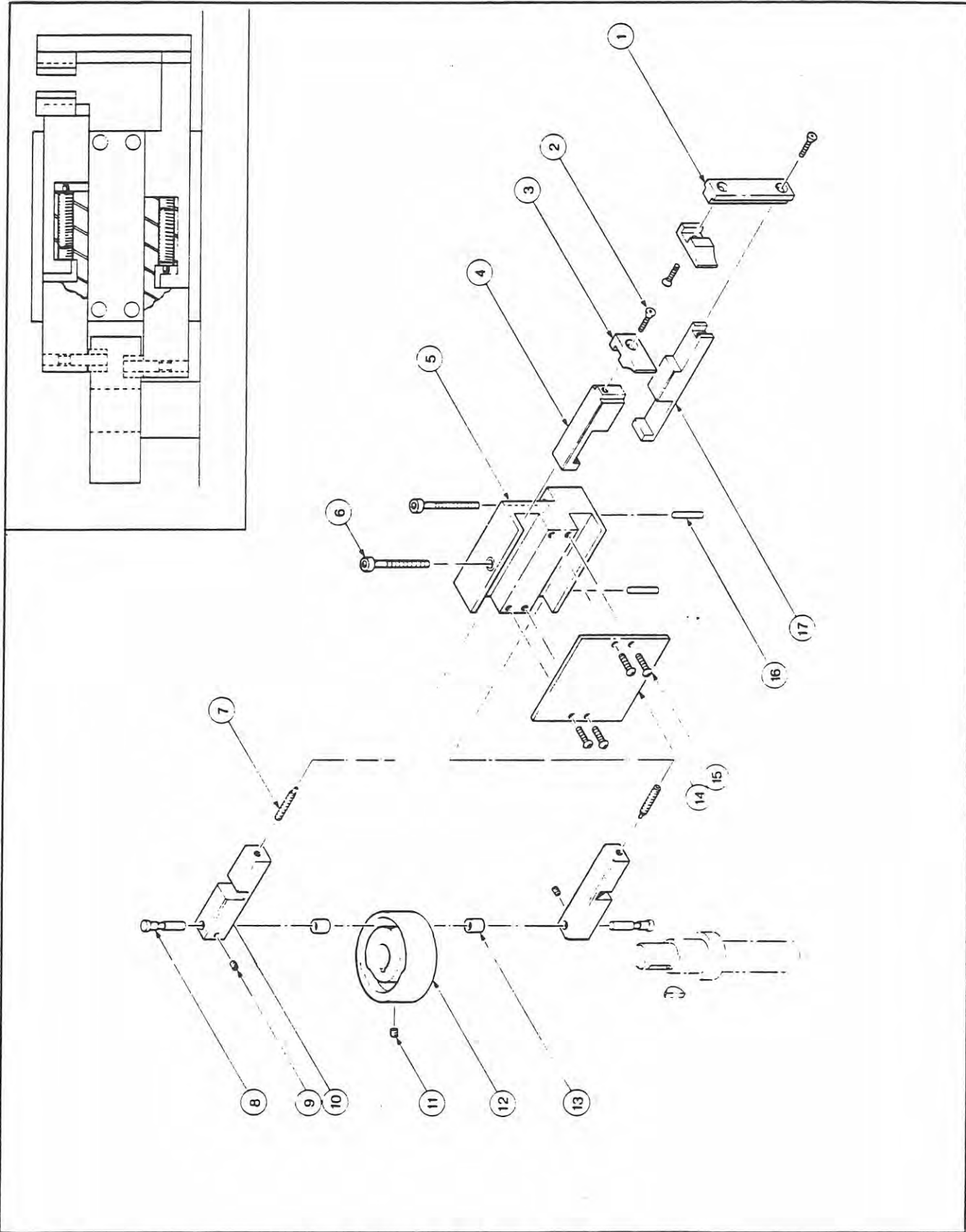


SHUTTLE ASSEMBLY



ITEM	PART NO.	DESCRIPTION	QTY.
	1002-1-0E	SHUTTLE ASSEMBLY	
1	S 5102	Ball Plunger	2
2	See Chart No.	Shuttle	1
3	F 2301	Set Screw	1
4	1011-5-3	Pin Support Ring	1
5	801-1-20	Adjustment Knob	1
6	1011-4-2	Support Pin	2
7	G 1506	Spring Tension Pin	1
8	1011-3-1	Shuttle Arm	1
9	F 3303	Set Screw	7
10	1011-5-4	Shuttle Arm Guide Pin	
11	1011-5-2	Shuttle Arm Adjustment Rod	1
12	G 1007	Retaining Ring - External	1
13	1011-2-1	Shuttle Block	
14	F 3303	Set Screw	2
15	B 0200	Linear Bearing	3
16	1016-1-1	Counter Bracket	1
17	F 3203	Button Head Socket Cap Screw	2
18	1009-2-5	Adjustment Knob	1
19	G 1510	Spring Tension Pin	1
20	1009-2-7	Washer	1
21	1011-4-1	Shuttle Arm Guide Block	1
22	1011-2-5	Shuttle Block Guide Shaft	2
23	L 0403	DU Bearing	2
24	F 3303	Set Screw	2
25	1011-4-4	Adjustment Rod	1
26	1009-2-6	Washer	1
27	F 3252	Flat Head Socket Cap Screw	1
28	L 0304	Bronze Bearing	1
29	1009-2-6	Washer	1
30	F 4303	Nylon Locknut	1
31	1011-2-3	Cam Follower Pin	1
32	1011-2-2	Guide Block Support Shaft	2
33	F 3303	Set Screw	2
34	G 2504	Dowel Pin	2
35	1011-3-2	Shuttle Arm Guide Block Support Base	1
36	F 4652	Socket Head Cap Screw	2
37	1011-1-1	Cam	1
38	G 1007	Retaining Ring	1
39	1011-2-4	Cam Cover Shield	1
40	F 4155	Socket Head Cap Screw	3
41	1009-2-6	Washer	1
42	S 4001	Bellville Washer	2
43	1009-2-5	Adjustment Knob	1
44	1011-4-3	Shuttle Securing Support Pin	2
45	1011-6-3	Pin	1

BELT CLAMP ASSEMBLY

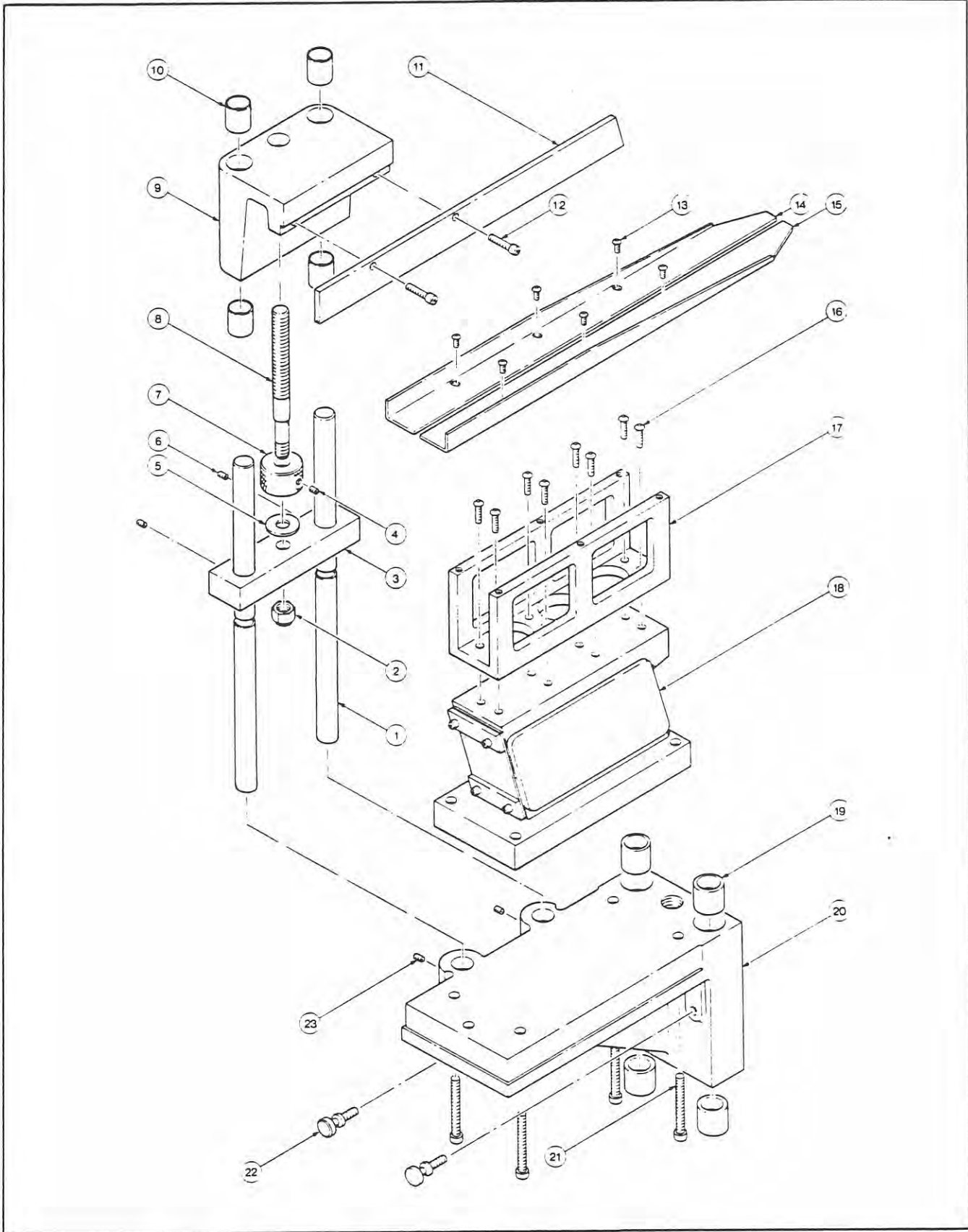


BELT CLAMP ASSEMBLY



ITEM	PART NO.	DESCRIPTION	QTY.
	1003-1-0E	BELT CLAMP ASSEMBLY	
1	1006-1-4	Belt Clamp Support Arm	1
2	F 2254	Flat Head Socket Cap Screw	3
3	1006-1-5	Belt Clamp	2
4	1006-1-2	Belt Clamp Upper Slide Bar	1
5	1006-1-6	Belt Clamp Guide Block	1
6	F 4154	Socket Head Cap Screw	2
7	S 5002	Spring Plunger	2
8	1006-2-1	Cam Follower Pin	2
9	F 2301	Set Screw	2
10	1006-1-1	Belt Clamp Slide Bar	2
11	F 2302	Set Screw	1
12	1006-2-4	Cam	1
13	1006-2-3	Cam Follower Roller Sleeve	2
14	1006-1-7	Cover Plate	1
15	F 3203	Button Head Socket Cap Screw	4
16	G 2504	Dowel Pin	2
17	1006-1-3	Belt Clamp Lower Slide Bar	1

IN-LINE FEEDER ASSEMBLY

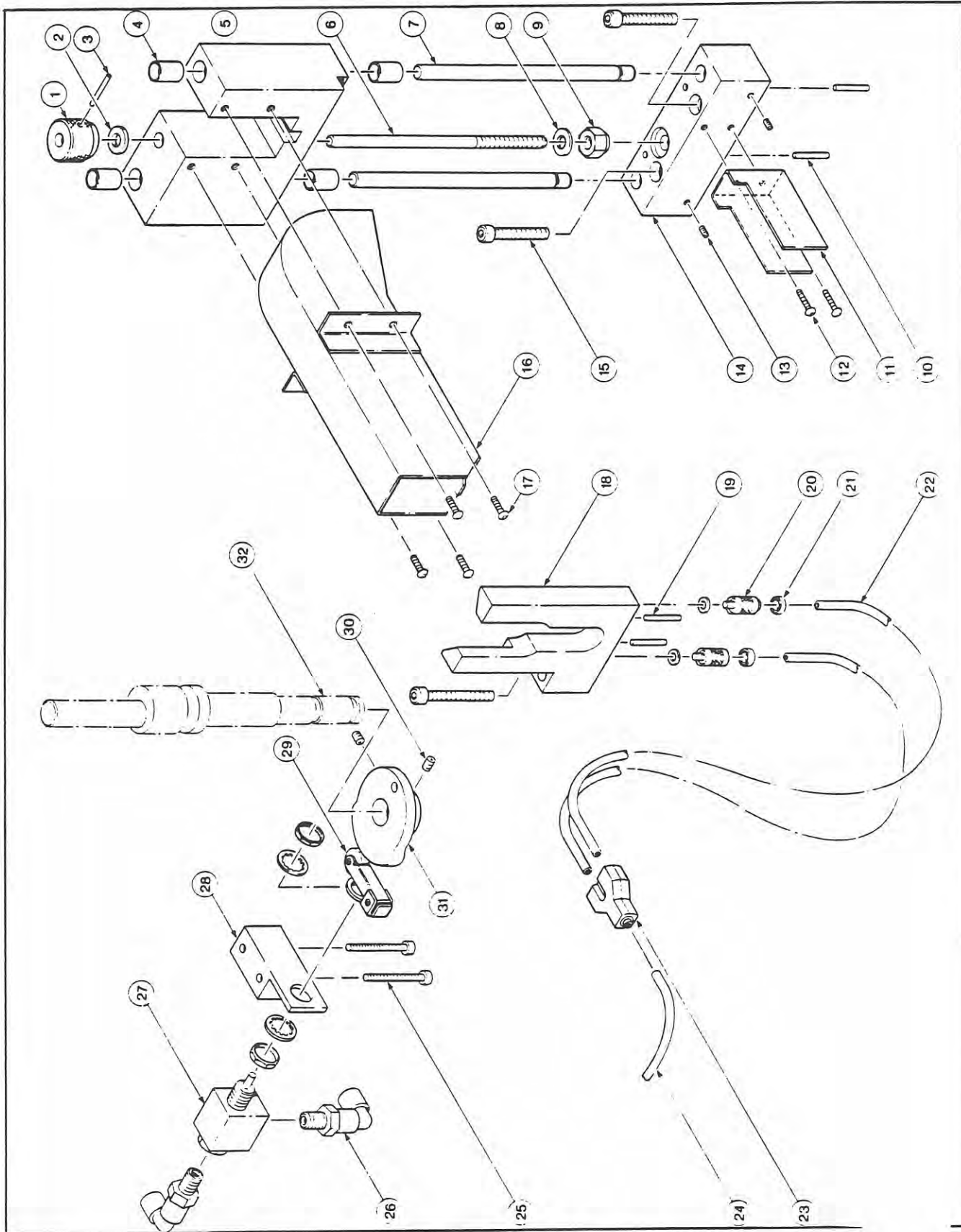


IN-LINE FEEDER ASSEMBLY



ITEM	PART NO.	DESCRIPTION	QTY.
	1004-1-0E	IN-LINE FEEDER ASSEMBLY	
1	1015-1-2	Height Adjustment Guide Shaft	2
2	F 5001	Nylon Locknut	1
3	1015-1-3	Height Adjustment Support Block	1
4	F 4305	Set Screw	1
5	1002-6-7	Washer	1
6	F 4305	Set Screw	2
7	1015-2-4	Adjustment Knob	1
8	1015-2-3	Height Adjustment Shaft	1
9	1015-1-1	Guide Track Support	1
10	L 0702	DU Bearing	4
11	1015-2-1	Guide Track (Illustrated)	1
	1015-2-2	Guide Track (Not shown)	1
12	F 4153	Socket Head Cap Screw	2
13	F 3203	Button Head Socket Cap Screw	6
14	1008- 4-3	In-line Feeder Track - LH	1
15	1008- 4-4	In-line Feeder Track - RH	1
16	F 4204	Button Head Socket Cap Screw	8
17	1008-1-4	In-line Feeder Track Mounting Block	1
18	M 0001	In-line Feeder	1
19	L 0902	DU Bearing	4
20	1007-1-1	In-line Feeder Support Block	1
21	F 4659	Socket Head Cap Screw	4
22	707-B	Thumb Screw	2
23	F 4305	Set Screw	2

BLOW-OFF ASSEMBLY

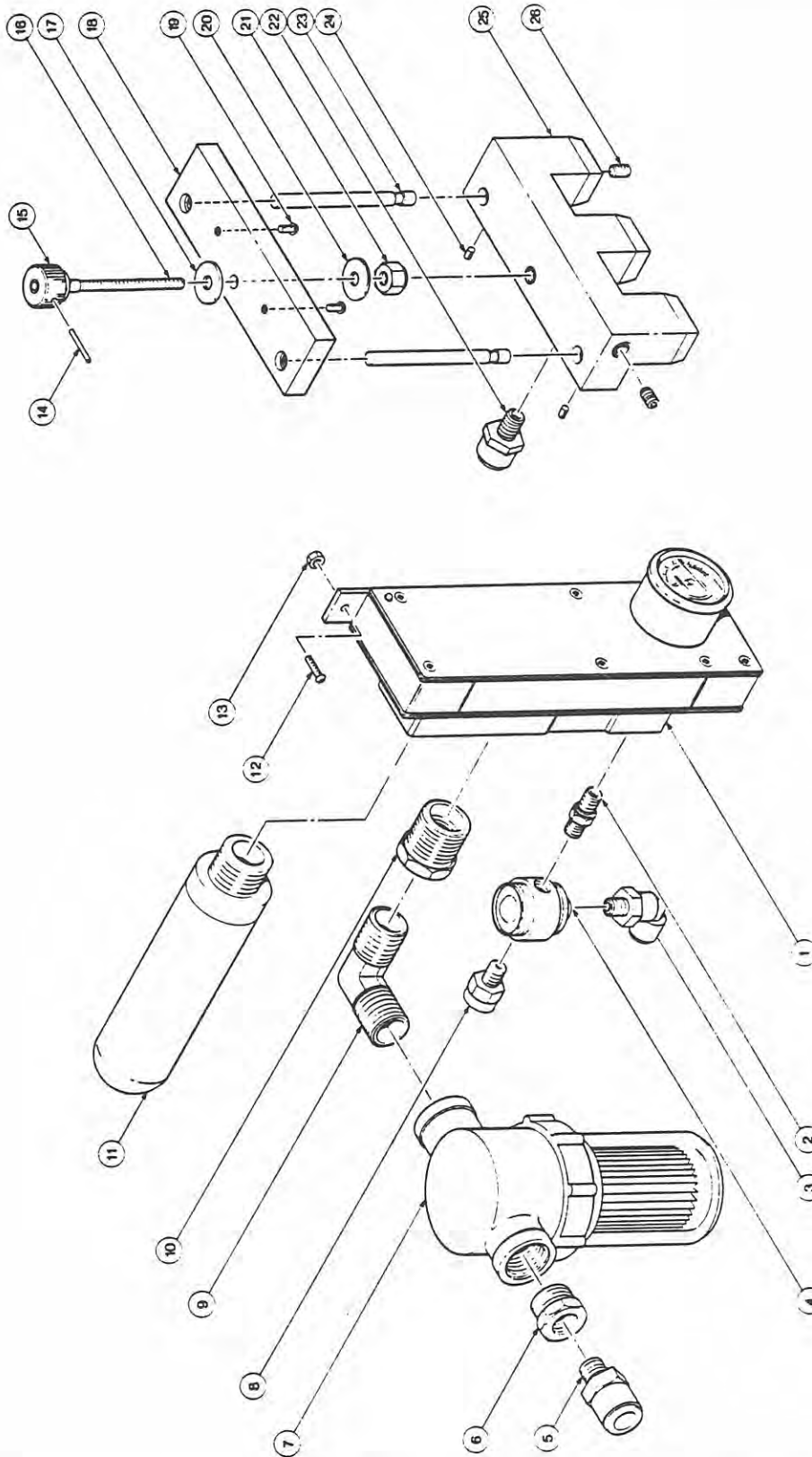


BLOW-OFF ASSEMBLY



ITEM	PART NO.	DESCRIPTION	QTY.
	1005-1-0E	BLOW-OFF ASSEMBLY	
1	1009-2-5	Height Adjustment Knob	1
2	1009-2-7	Washer	1
3	G 1510	Spring Tension Pin	1
4	L 0503	DU Bearing	4
5	1009-1-1	Blow-off Chute Support Block	1
6	1009-2-3	Height Adjustment Shaft	1
7	1009-2-2	Height Adjustment Guide Shaft	2
8	1009-2-6	Washer	1
9	F 4503	Nylon Locknut	1
10	G 2504	Dowel Pin	2
11	1009-2-4	Scrap Deflector Shield	1
12	F 3201	Button Head Socket Cap Screw	2
13	F 3304	Set Screw-Hex Socket-Cone PT	2
14	1009-1-4	Height Adjustment Base	1
15	F 4657	Socket Head Cap Screw	2
16	1009-13-2	Blow-off Chute	1
17	F 3203	Button Head Socket Cap Screw	4
18	1009-2-1	Blow-off Block	1
19	G 2504	Dowel Pin	2
20	P 0031	Male Connector	2
21	P 0032	Manual Release Button	2
22	1009-4-2	Blow-off Tube	
23	P 0029	Single "Y" Female-Female	1
24	1009-4-4	Blow-off Tube	
25	F 3658	Socket Head Cap Screw	2
26	P 0027	Swivel Elbow	1
27	P 1003	Miniature 3W Control Valve	1
28	1002-6-1	Valve Support Block	1
29	P 1002	Cam Follower	1
30	F 4305	Set Screw	2
31	1002-4-4	Cam	1
32	1002-6-2	See Assembly 100-1-0E	Ref.

VACUUM ASSEMBLY

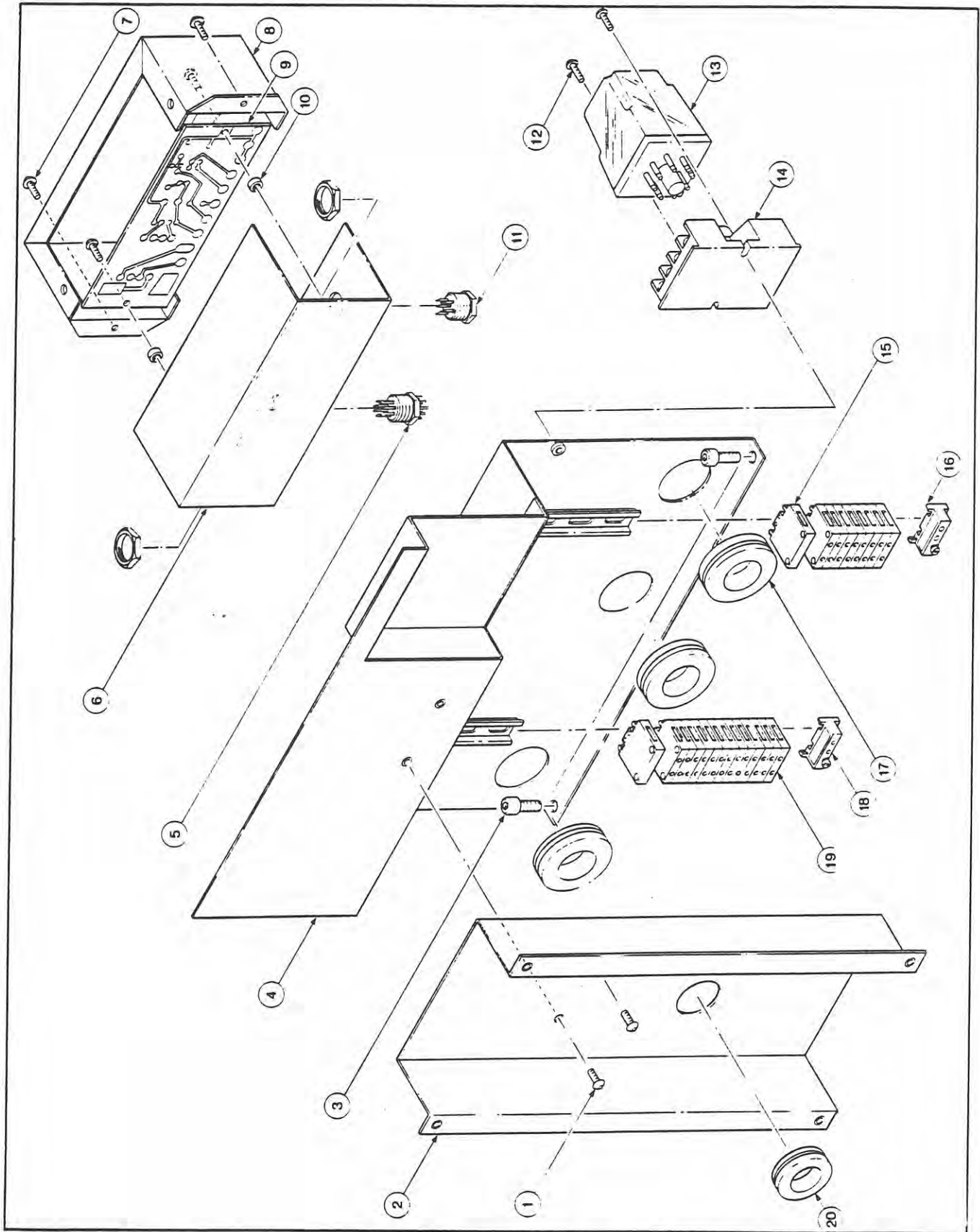


VACUUM ASSEMBLY



ITEM	PART NO.	DESCRIPTION	QTY.
1	1006-1-0E	VACUUM ASSEMBLY	
1	P 9001	Vacuum Pump	1
2	P 0030	Hex Nipple	1
3	P 0027	Swivel Elbow	1
4	P 1010	Valve Piloted	1
5	P 0020	Male Connector	1
6	P 0024	Pipe Bushing	1
7	P 1011	Vacuum Filter	1
8	P 0021	Male Connector	1
9	P 0026	Male Pipe Elbow	1
10	P 0025	Pipe Bushing	1
11	P 9002	Silencer	1
12	F 4206	Button Head Socket Cap Screw	2
13	F 4002	Nylon Locknut	2
14	G 1510	Spring Tension Pin	1
15	1009-2-5	Height Adjustment Knob	1
16	1009-4-1	Height Adjustment Shaft	1
17	1009-2-7	Washer	1
18	1009-3-2	Vacuum Guide Block	1
19	F 4204	Button Head Socket Cap Screw	2
20	1009-2-6	Washer	1
21	F 4503	Nylon Locknut	1
22	P 0020	Male Connector	1
23	1009-3-3	Height Adjustment Guide Shaft	2
24	F 4301	Set Screw	2
25	1009-3-1	Vacuum Block	1
26	P 0015	Plug Pipe	3

FRONT SHIELD ASSEMBLY

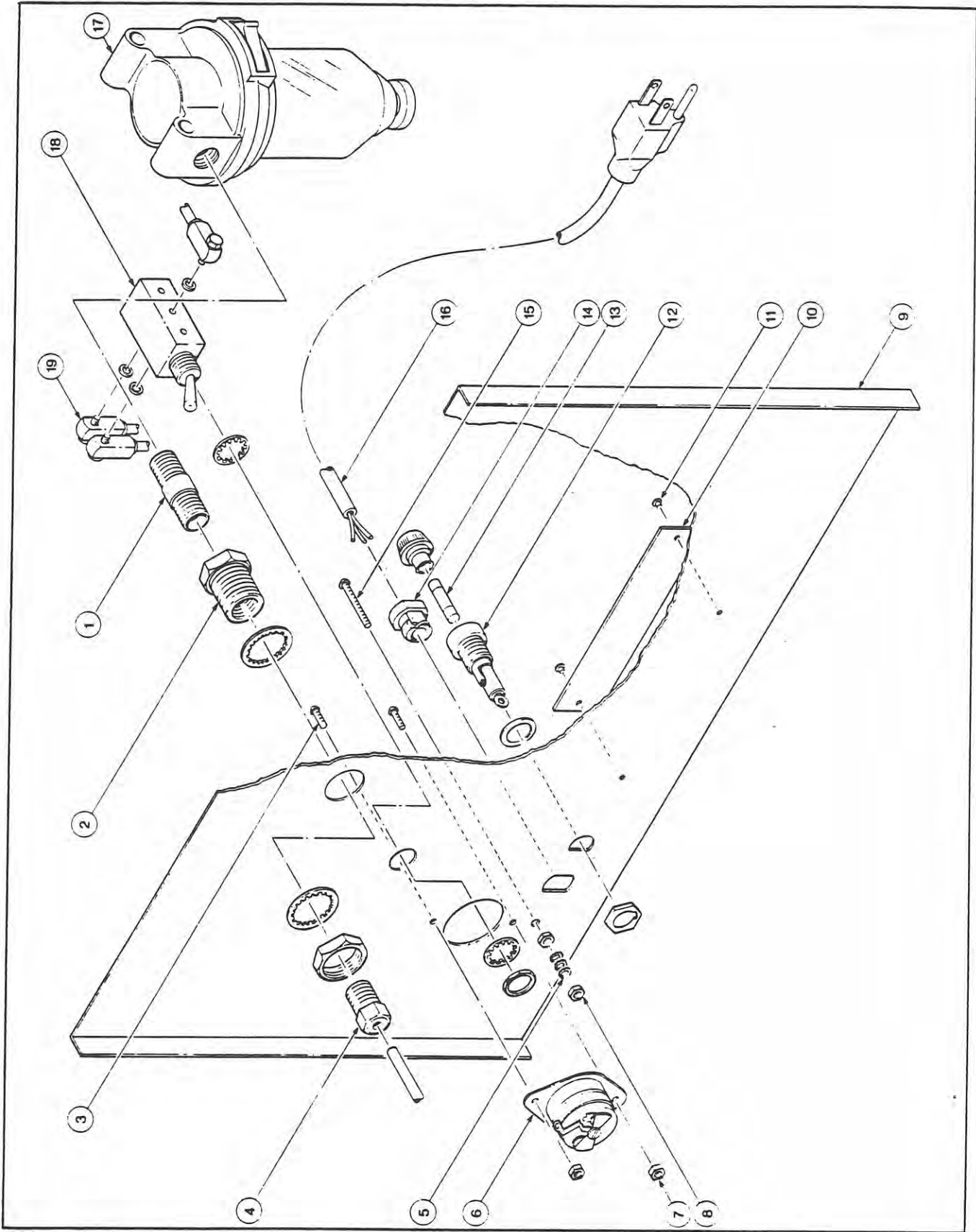


FRONT SHIELD ASSEMBLY



ITEM	PART NO.	DESCRIPTION	QTY.
	1007-1-OE	FRONT SHIELD ASSEMBLY	
1	F 3203	Button Head Socket Cap Screw	2
2	1012-6-1	Front Shield	1
3	F 4152	Socket Head Cap Screw	2
4	1012-4-3	Terminal Block Support Shield W/A	1
5	E 9045	7 Pin Plug - Male	1
6	1016-1-2	Electrical Box - Base	1
7	F 3201	Button Head Socket Cap Screw	4
8	1016-1-3	Electrical Box - cover	1
9	1017-1-1	Circuit Board	1
10	E 9002	Spacer	2
11	E 9048	5 Pin Plug - Female	1
12	F 3203	Button Head Socket Cap Screw	2
13	E 9003	Relay - 120 V	1
	E 9004	Relay - 240 V	1
14	E 9005	Terminal Block	1
15	E 9006	Terminal Strip	9
16	E 9007	Terminal Stop	1
17	E 9050	Grommet	3
18	E 9007	Terminal Stop	1
19	E 9006	Terminal Strip	14
20	E 9019	Grommet	1

SIDE PANEL ASSEMBLY - RH

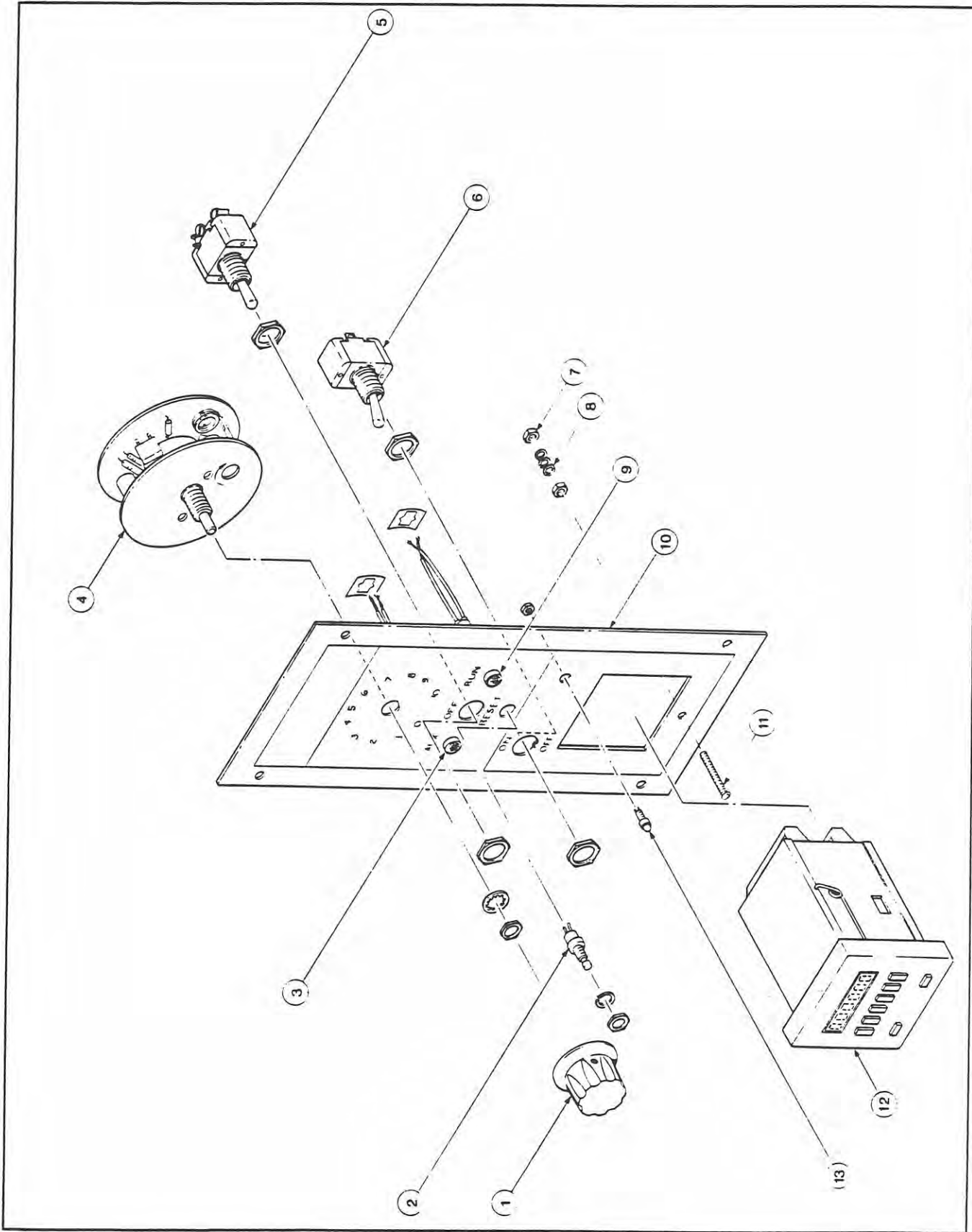


SIDE PANEL ASSEMBLY-RH



ITEM	PART NO.	DESCRIPTION	QTY.
	1008-1-0E	SIDE PANEL ASSEMBLY - RH	
1	P 0010	Long Nipple	1
2	P 0011	Bulkhead	1
3	F 3351	Machine Screw	2
4	P 0023	Male Connector	1
5	F 3101	Lockwasher	3
6	E 9009	Receptacle	1
7	F 3001	Hex Nut	2
8	F 3001	Hex Nut	2
9	1012-7-1	Rear Panel	1
10	1016-3-3	Specification Plate	1
11		Rivet	2
12	E 6008	Fuse Holder	1
13	E 6006	Fuse	1
14	E 9011	Strain Relief	1
15	F 3353	Machine Screw	1
16	E 9010	Line Cord	1
17	P 1007	Filter	1
18	P 1009	4-way Toggle Valve	1
19	P 0028	Adjustable Elbow	3

CONTROL PANEL ASSEMBLY

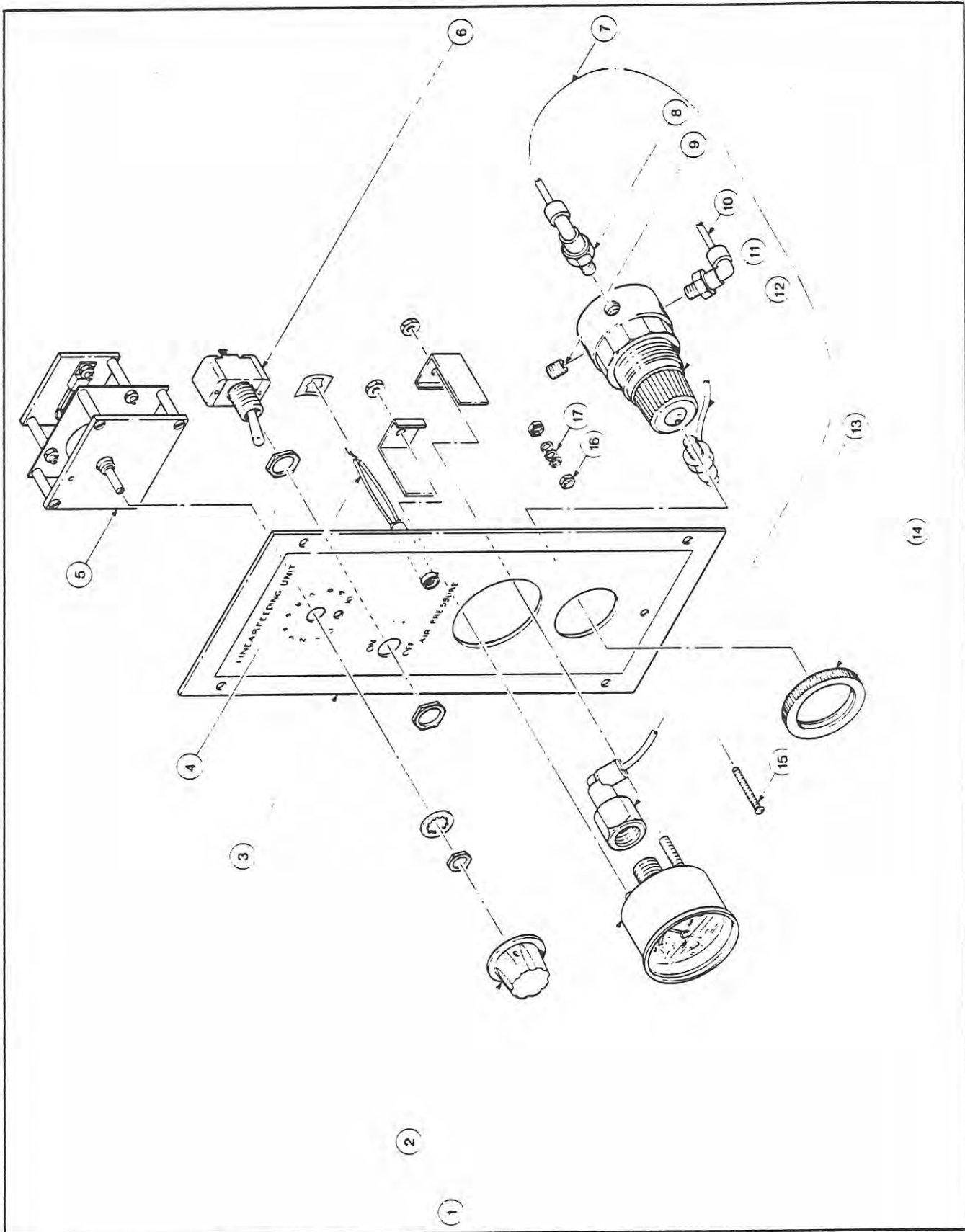


CONTROL PANEL ASSEMBLY



ITEM	PART NO.	DESCRIPTION	QTY.
	1009-1-0E	CONTROL PANEL ASSEMBLY	
1	E 9012	Knob	1
2	E 4003	Reset Button	1
3	E 5001	Pilot Light	1
	E 5002	Pilot Light	1
4	E 9014	Speed Control	1
5	E 4001	Toggle Switch	1
6	E 4002	Toggle Switch	1
7	F 3001	Hex Nut	2
8	F 3101	Lockwasher	3
9	E 5003	Pilot Light	1
	E 5004	Pilot Light	1
10	1016-2-1	Control Panel	1
11	F 3353	Machine Screw	1
12	E 9008	Counter	1
13	E 5005	LED Ind. Light	1

CONTROL PANEL ASSEMBLY - LH

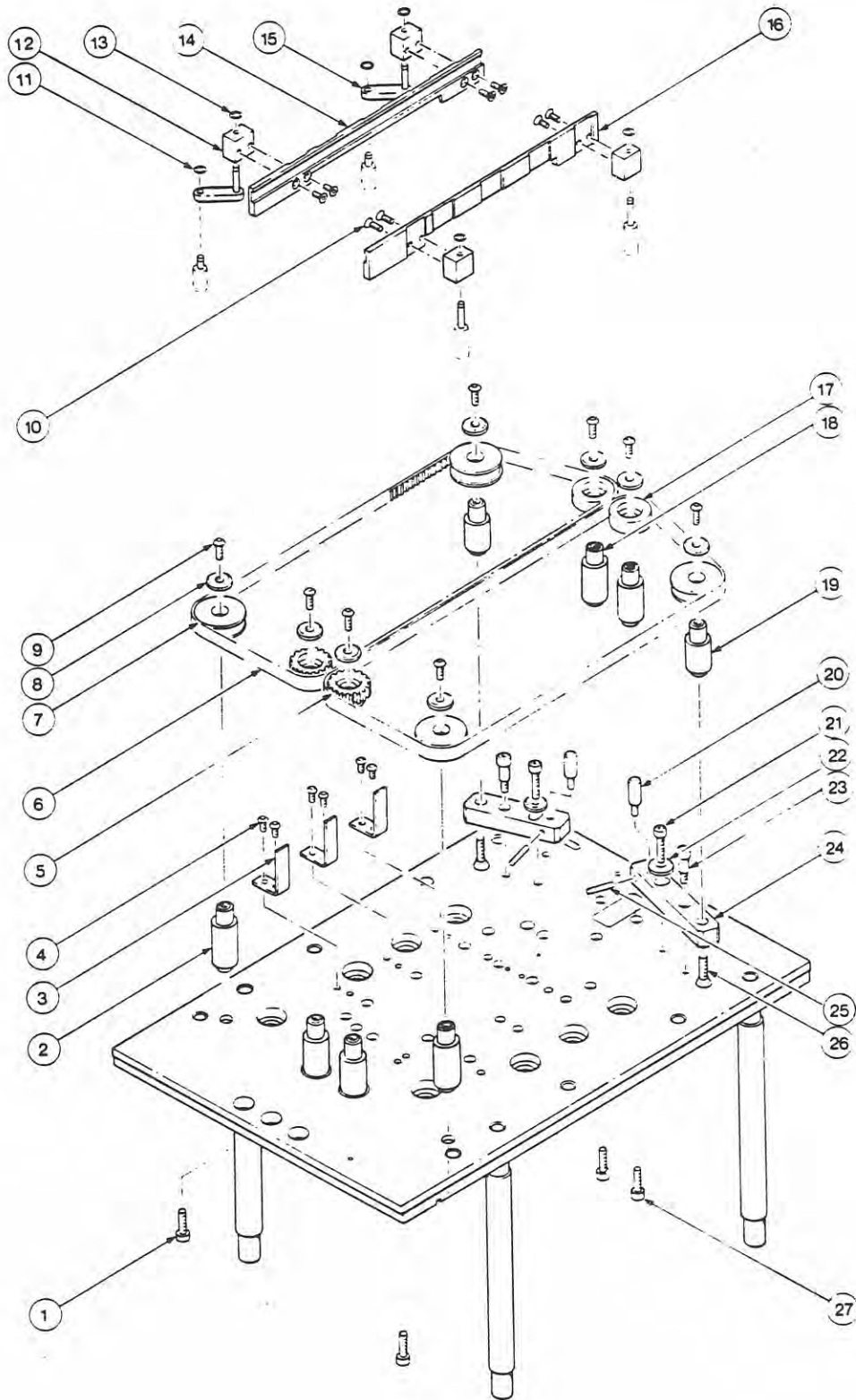


CONTROL PANEL ASSEMBLY-RH



ITEM	PART NO.	DESCRIPTION	QTY.
	1010-1-0E	CONTROL PANEL ASSEMBLY	
1	P 1008	Air Gauge	1
2	E 9012	Knob	1
3	1016-2-2	Control Panel	1
4	E 5003	Pilot Light - 110V	1
	E 5004	Pilot Light - 220V	1
5	E 9022	Vibratory Speed Control - GPD USA	1
6	E 4002	Toggle Switch	1
7	1009-4-8	Blow-off Tube	1
8	P 0027	Swivel Elbow	3
9	P 0015	Plug	1
10	1009-4-6	Blow-off Tube	1
11	P 1009	Mini Regulator	1
12	1009-4-6	Blow-off Tube	1
13	P 0036	Female Elbow	1
14	1009-4-1	Mounting Nut	1
15	F 3353	Machine Screw - round head, slotted	1
16	F 3101	Lockwasher	3
17	F 3001	Hex Nut	2

GENERAL ASSEMBLY - 1

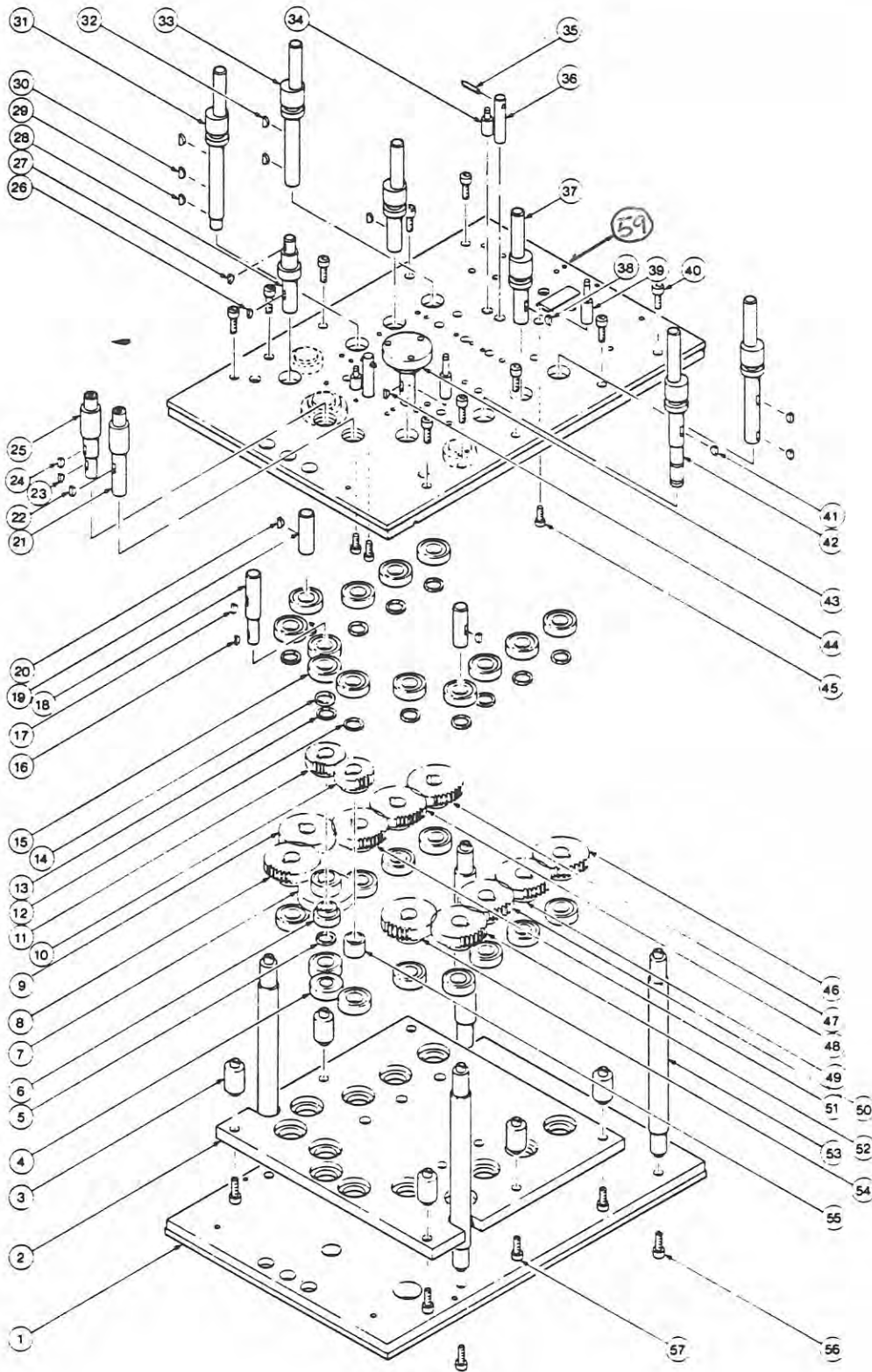


GENERAL ASSEMBLY - 1



ITEM	PART NO.	DESCRIPTION	QTY.
	1011-1-0E	GENERAL ASSEMBLY - 1	
1	F 4655	Socket Head Cap Screw	2
2	1002-1-9	Pulley Support Shaft	2
3	904-2-1	Scale	3
4	F 3203	Button Head Socket Cap Screw	6
5	1002-2-3	Timing Pulley	2
6	D 0005	Timing Belt	2
7	1002-2-2	Pulley	4
8	1002-3-3	Washer	8
9	F 4204	Button Head Socket Cap Screw	8
10	F 2254	Flathead Socket Cap Screw	4
11	G 1003	Retaining Ring - External	4
12	1002-4-7	Guide Track Block	2
13	G 1003	Retaining Ring	4
14	1002-4-6	Guide Track - RH	1
15	1002-3-6	Guide Track - Extension Post	2
16	1002-4-5	Guide Track - LH	1
17	1002-2-1	Pulley	2
18	1002-1-8	Pulley Support Shaft	2
19	1002-1-10	Pulley Support Shaft	2
20	901-2-20	Handle	2
21	F 4656	Socket Head Cap Screw	2
22	902-1-13	Washer	2
23	F 5451	Shoulder Screw	2
24	1002-4-2	Idler Bar	2
25	G 1508	Spring Tension Pin	2
26	F 4754	Flat Head Socket Cap Screw	2
27	F 4652	Socket Head Cap Screw	2

GENERAL ASSEMBLY - 2



GENERAL ASSEMBLY - 2



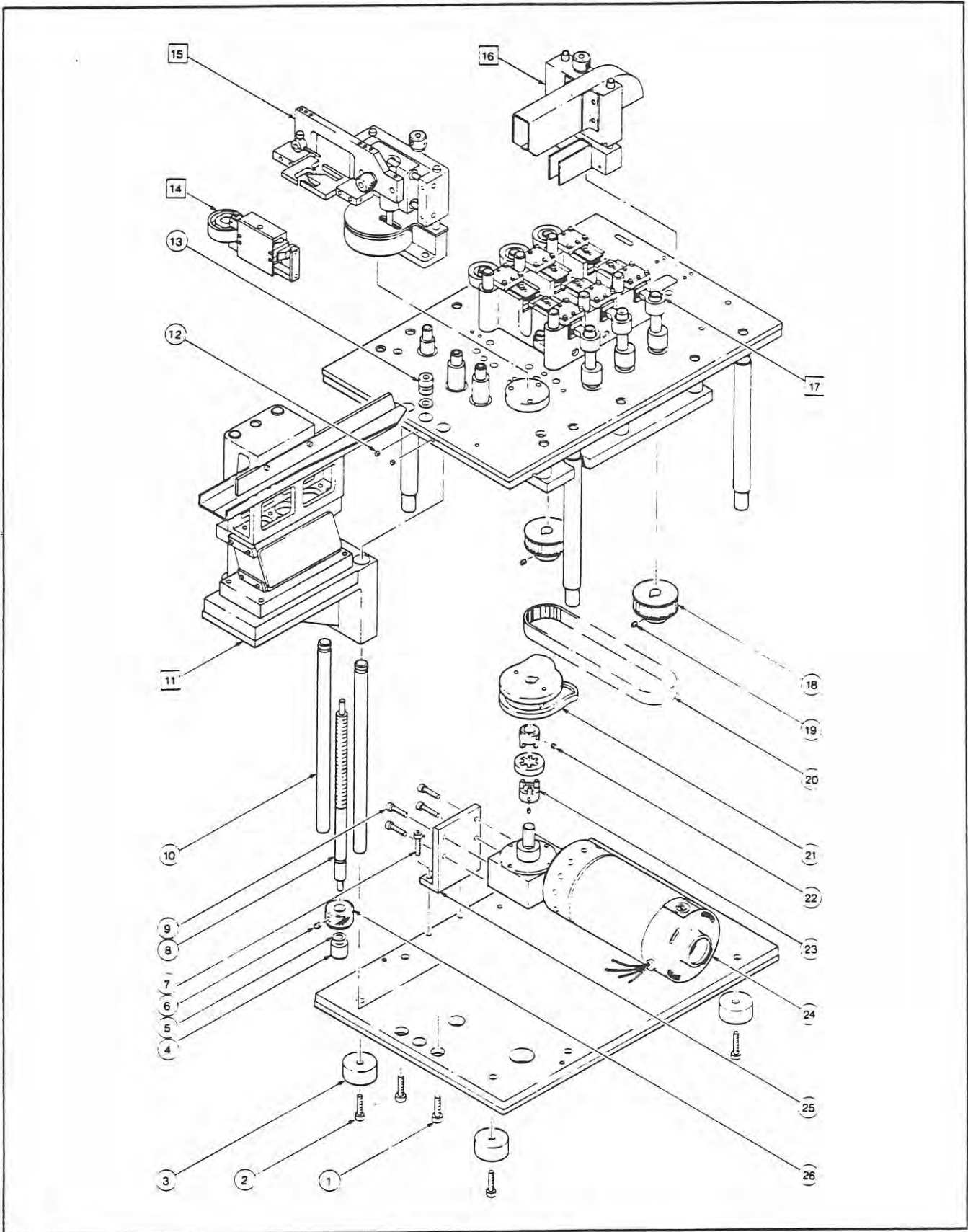
ITEM	PART NO.	DESCRIPTION	QTY.
	1011-2-0E	GENERAL ASSEMBLY - 2	
1	1005-1-1	Base Plate	1
2	1004-1-1	Bearing Support Plate	1
3	1002-1-5	Spacer	6
4	B 0002	Bearing	1
5	1002-6-6	Washer	1
6	1002-2-10	Sprocket	1
7	1002-2-6	Sprocket	1
8	1002-2-6	Sprocket	1
9	1002-2-7	Sprocket	1
10	1002-2-8	Sprocket	1
11	1002-2-9	Sprocket	1
12	1002-6-5	Washer	1
13	1002-6-5	Washer	1
14	1002-6-8	Washer	1
15	B 0001	Bearing	25
16	G 3009	Woodruff Key	1
17	G 3013	Woodruff Key	1
18	1002-6-3	Cam Follower Support Shaft	1
19	1002-3-1	Idler Shaft	2
20	G 3013	Woodruff Key	2
21	1002-1-6	Shaft	1
22	G 3013	Woodruff Key	1
23	G 3009	Woodruff Key	1
24	G 3013	Woodruff Key	1
25	1002-1-7	Shaft	1
26	F 3013	Woodruff Key	1
27	G 3009	Woodruff Key	1
28	1006-2-2	Cam Support Shaft	1
29	G 3009	Woodruff Key	1
30	F 3013	Woodruff Key	2
31	1002-1-2	Shaft	1
32	G 3013	Woodruff Key	4
33	1002-1-3	Shaft	2
34	1002-3-8	Guide Track Support Post	2
35	S 5003	Spring Plunger	2
36	1002-4-3	Spring Plunger Support Post	2
37	1002-1-1	Shaft	2
38	G 3013	Woodruff Key	2
39	1002-3-7	Guide Track Support Post	2
40	F 4654	Socket Head Cap Screw	10
41	G 3013	Woodruff Key	1
42	1002-6-2	Shaft	1
43	1011-1-2	Cam Support Shaft	1
44	G 3013	Woodruff Key	1
45	F 4155	Socket Head Cap Screw	6

continued on next page..



ITEM	PART NO.	DESCRIPTION	QTY.
		GENERAL ASSEMBLY (continued)	
46	1002-2-7	Sprocket	1
47	1002-2-7	Sprocket	1
48	1002-2-6	Sprocket	1
49	1002-2-6	Sprocket	1
50	1002-2-7	Sprocket	1
51	1002-2-7	Sprocket	1
52	1002-2-7	Sprocket	1
53	1002-1-4	Spacer	4
54	1002-2-7	Sprocket	1
55	1002-4-1	Spacer	1
56	F 4654	Socket Head Cap Screw	4
57	F 4654	Socket Head Cap Screw	6
58	1002-3-2	Spacer	11
59	1003-1-1	Top Plate	

GENERAL ASSEMBLY - 3

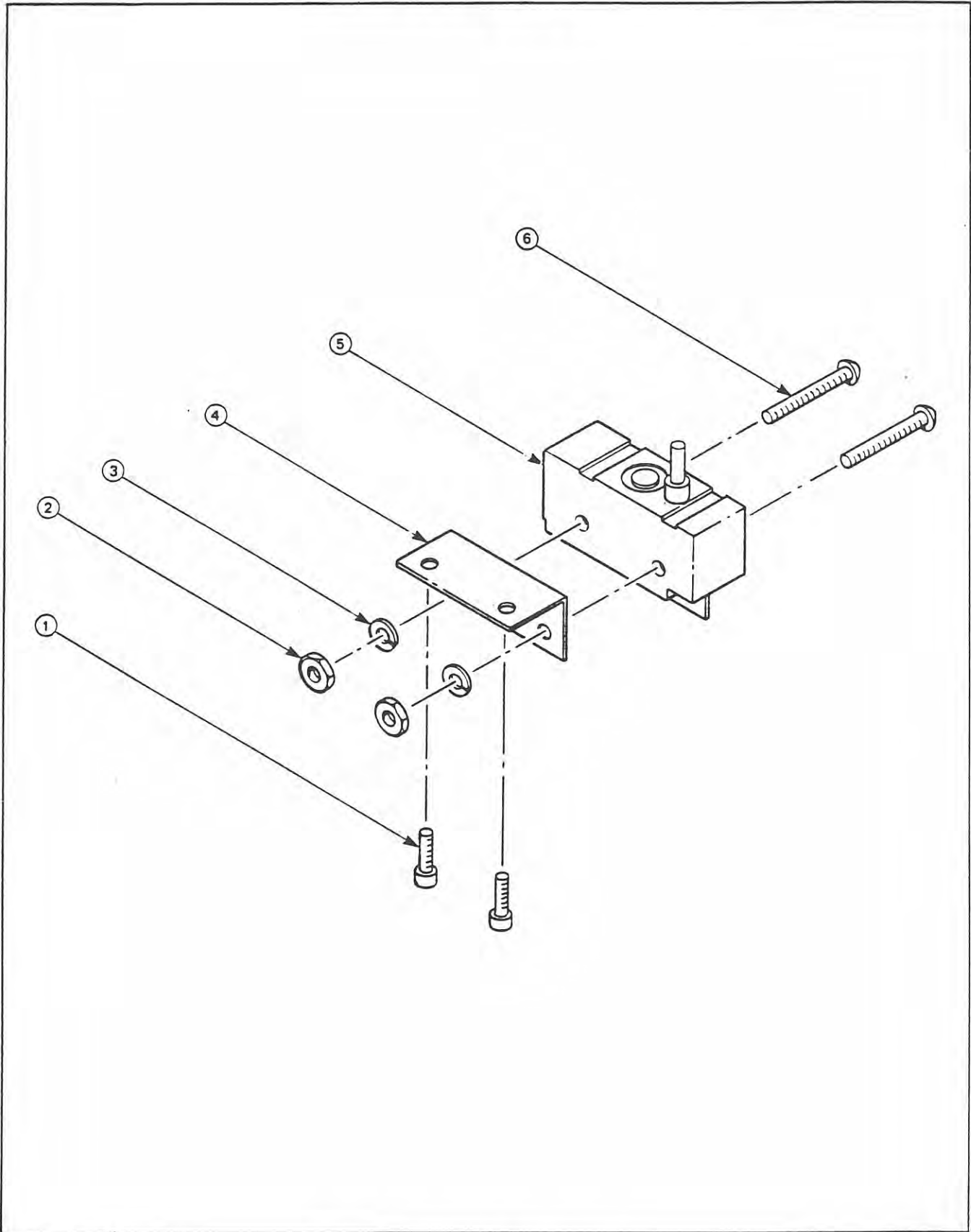


GENERAL ASSEMBLY - 3



ITEM	PART NO.	DESCRIPTION	QTY
	3 1011-3-0E	GENERAL ASSEMBLY - 3	
1	F 4654	Socket Head Cap Screw	2
2	F 4656	Socket Head Cap Screw	4
3	1010-1-5	Foot Pad	4
4	1002-5-6	Bushing	1
5	1002-5-7	Washer	2
6	F 4801	Set Screw	1
7	F 4654	Socket Head Cap Screw	2
8	1002-5-3	Height Adjustment Shaft	1
9	F 4155	Socket Head Cap Screw	4
10	1002-5-2	Guide Shaft	2
11	1004-1-0E	IN-LINE FEEDER ASSEMBLY	1
12	F 3801	Set Screw	3
13	1002-5-5	Bushing	1
14	1003-1-0E	BELT CLAMP ASSEMBLY	1
15	1002-1-0E	SHUTTLE ASSEMBLY	1
16	1005-1-0E	BLOW-OFF ASSEMBLY	1
	1006-1-0E	BLOW-OFF VACUUM CAM ASSEMBLY	1
17	1001-1-0E	DIE BLOCK ASSEMBLY	1
18	1002-2-4	Timing Pulley	2
19	F 4305	Set Screw	2
20	D 0001	Timing Belt	1
21	806-1-2	Cam	1
22	F 4305	Set Screw	2
23	D 1501	Coupling	1
24	E 3001	Motor - 110 V	1
	E 3002	Motor - 220 V	1
25	1002-6-4	Motor Mounting Bracket	1
26	1002-5-4	Adjustment Knob	1
27	M 0010	Plug Button	1
28	M 0004	Plug Button	1
29	L 1401	DU Bearing	1

LIMIT SWITCH ASSEMBLY

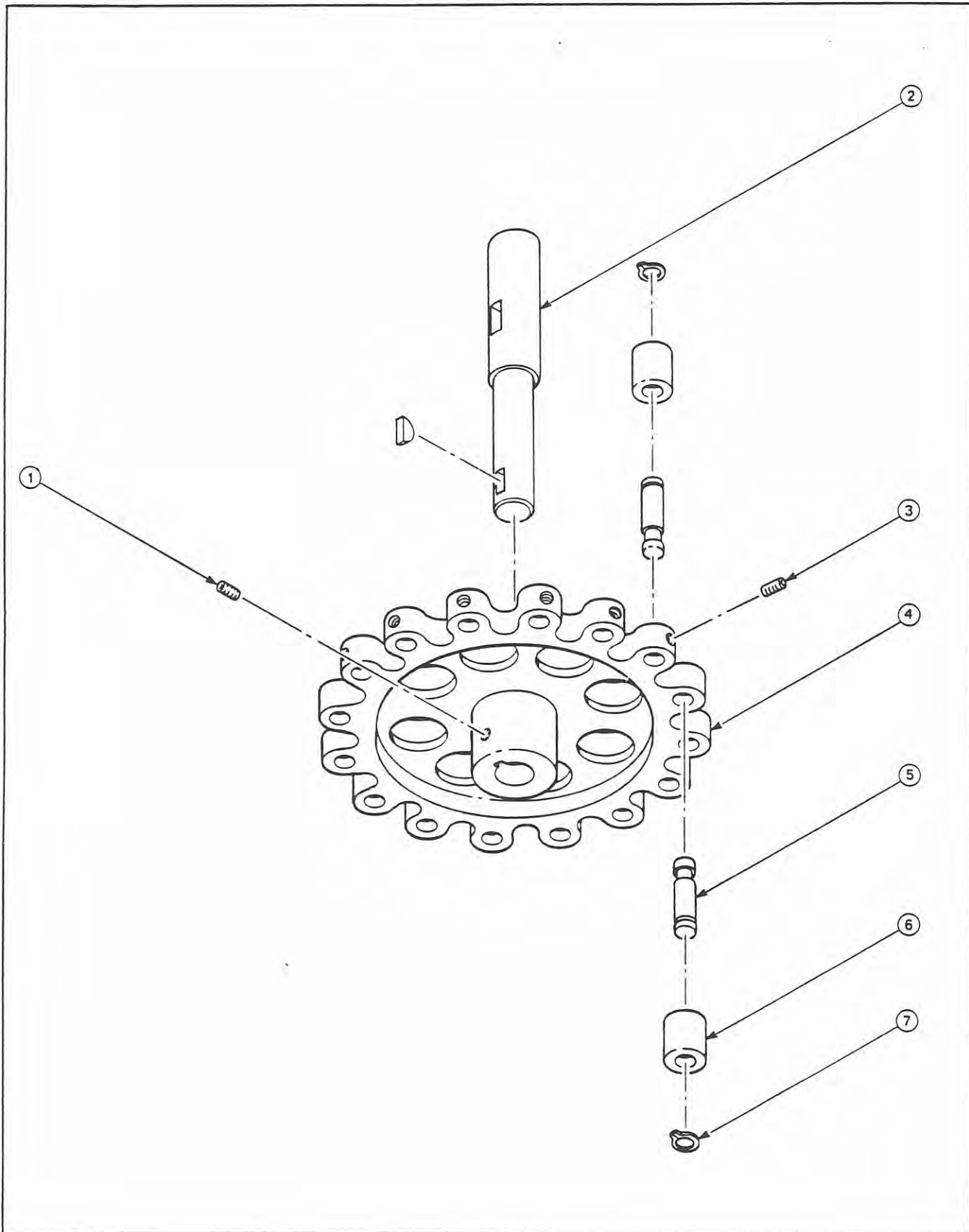


LIMIT SWITCH ASSEMBLY



ITEM	PART NO.	DESCRIPTION	QTY.
1	1011-4-1E F 3152	LIMIT SWITCH ASSEMBLY Socket Head Cap Screw	2
2	F 3001	Hex Nut	2
3	F 3103	Lockwasher, split helical	2
4	810-4-3	Bracket	1
5	E 4004	Micro Switch	1
6	F 3353	Machine Screw	2

CAM FOLLOWER ASSEMBLY

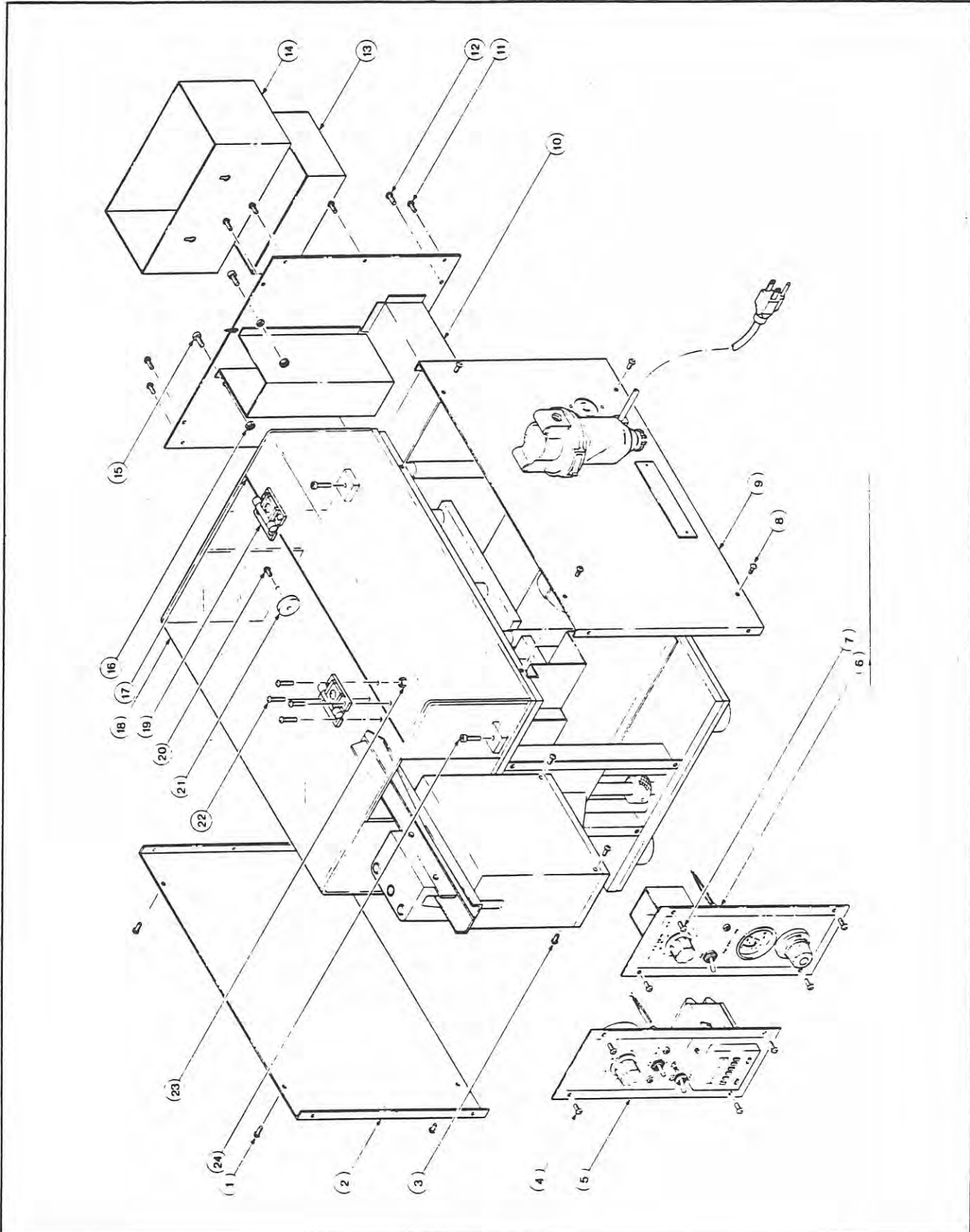


CAM FOLLOWER ASSEMBLY



ITEM	PART NO.	DESCRIPTION	QTY.
1	1011-4-2E	CAM FOLLOWER ASSEMBLY	
2	F 3305	Set Screw	1
3	1002-6-3	Cam Follower Support Shaft	Ref.
4	F 3303	Set Screw	16
5	902-1-4	Cam Follower	16
6	902-1-6	Roller Pin	16
7	902-1-5	Roller	16
7	G 1007	Retaining Ring	16

GUARD ASSEMBLY



GUARD ASSEMBLY



ITEM	PART NO.	DESCRIPTION	QTY.
	1012-1-OE	GUARD ASSEMBLY	
1	F 3703	Button Head Socket Cap Screw	4
2	1012-8-1	Side Panel - LH	1
3	F 4203	Button Head Socket Cap Screw	4
4	F 3203	Button Head Socket Cap Screw	4
5	1009-1-OE	Control Panel Assembly	1
6	1010-1-OE	Control Panel Assembly	1
7	F 3203	Button Head Socket Cap Screw	4
8	F 3703	Button Head Socket Cap Screw	4
9	1008-1-OE	Side Panel Assembly - RH	1
10	1012-3-1	Rear Panel W/A	1
11	F 3203	Button Head Socket Cap Screw	6
12	F 3703	Button Head Socket Cap Screw	4
13	1012-2-4	Scrap Bin W/A	1
14	1012-5-1	Component Catch Bin W/A	1
15	F 4152	Socket Head Cap Screw	2
16	F 4001	Hex Nut	2
17	1018-2-4	Cover Shield - LH	1
18	1018-2-3	Cover Shield - RH	1
19	M 0008	Hinge - Southco Fasteners	2
20	F 3704	Button Head Socket Cap Screw	1
21	1018-1-1	Reset Roller - Cover Shield	1
22	F 3704	Button Head Socket Cap Screw	8
23	F 3501	Hex Nut	8
24	F 3657	Socket Head Cap Screw	2
25	1008-1-3	In-line Feeder Guard	1

TABLE ASSEMBLY

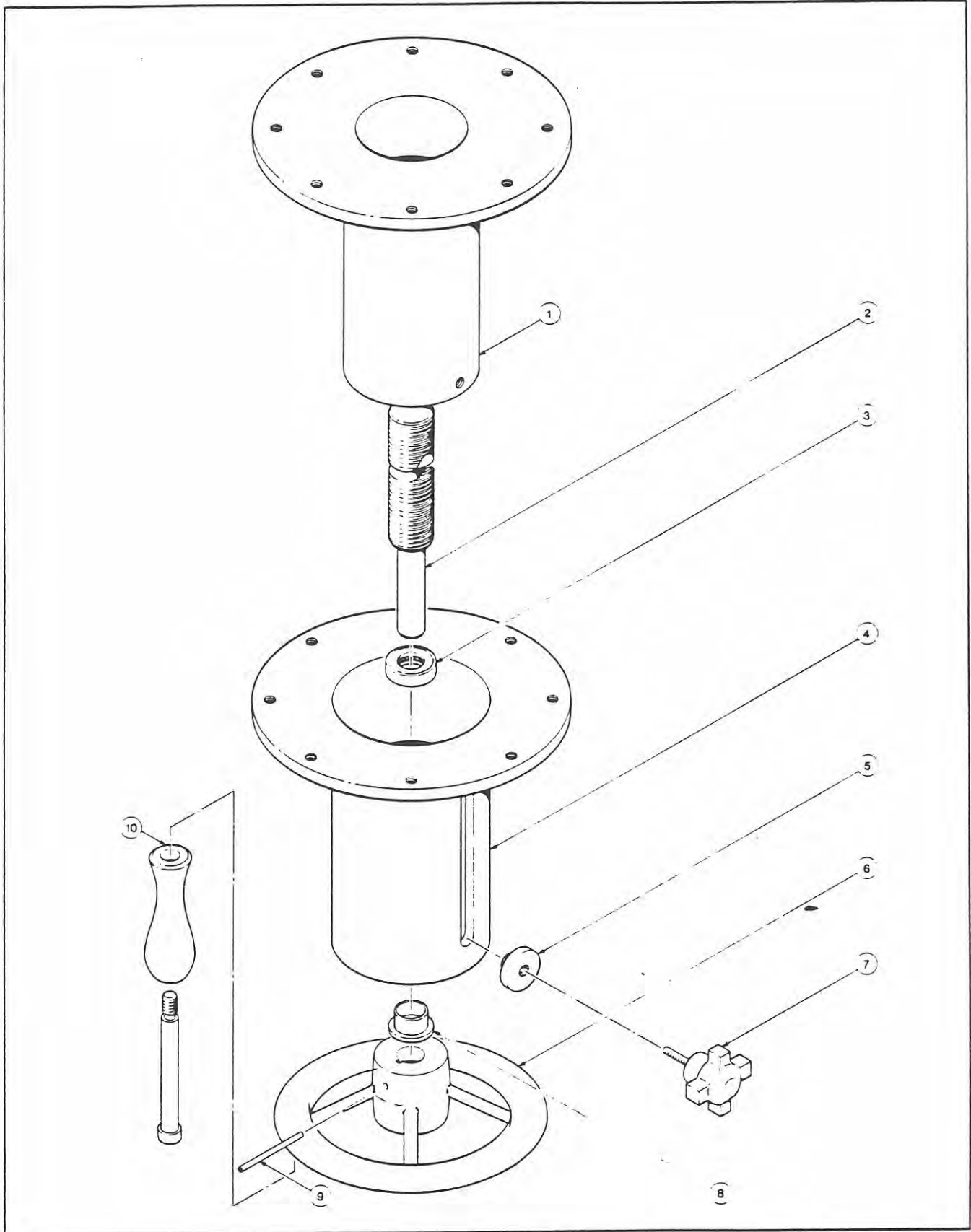


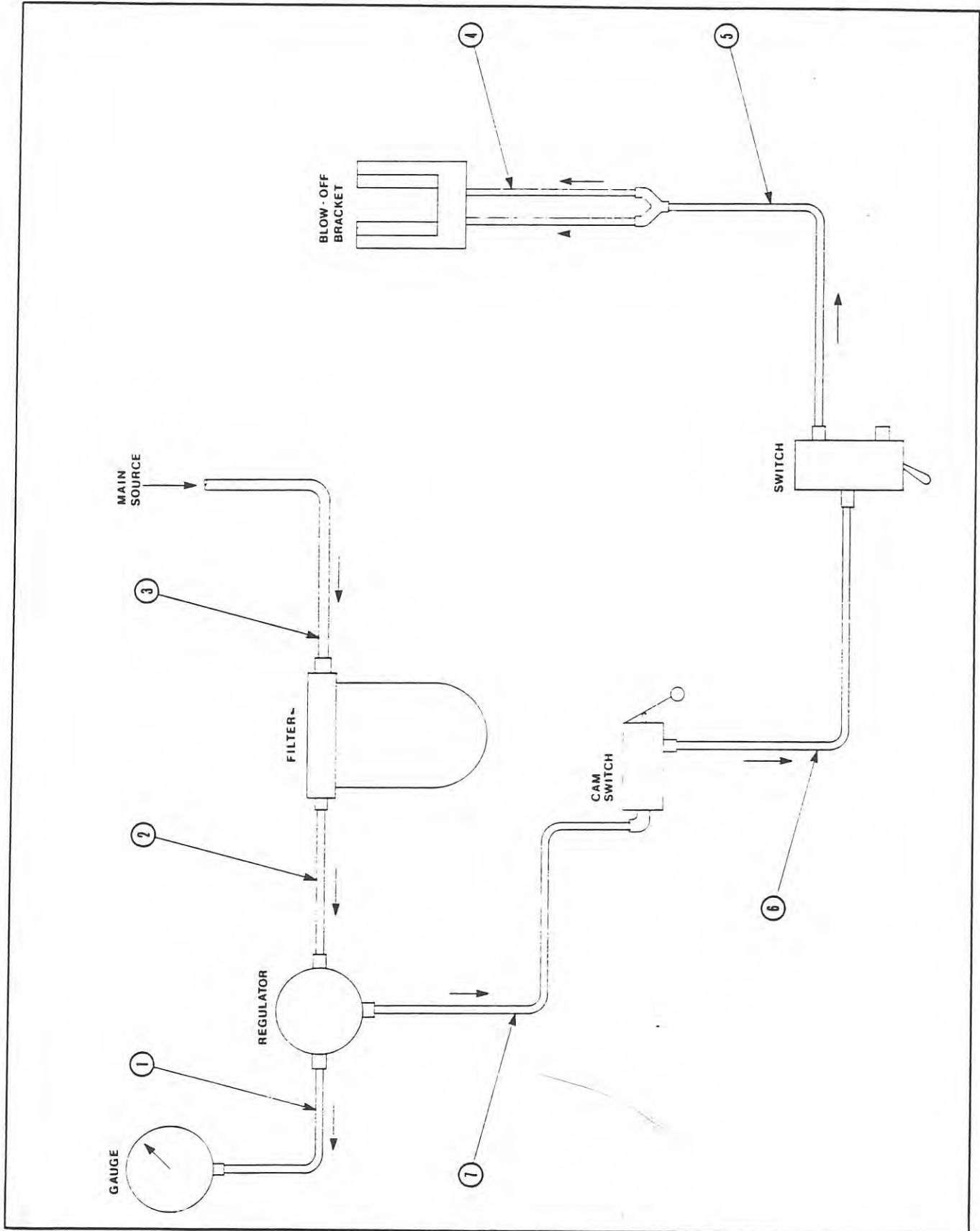
TABLE ASSEMBLY



ITEM	PART NO.	DESCRIPTION	QTY.
	1013-1-OE	TABLE ASSEMBLY - 1	
1	1020-3-2	Telescoping Tube W/A	1
2	1020-2-3	Lift Screw	1
3	B 0300	Bearing	1
4	1020-3-1	Support Tube W/A	1
5	1020-1-5	Washer	1
6	M 0011	Hand Wheel	1
7	M 0013	Hand Knob	1
8	L 0904	Bushing	1
9	G 1595	Spring Tension Pin	1
10	M 0012	Handle	1

SECTION II
TECHNICAL DATA

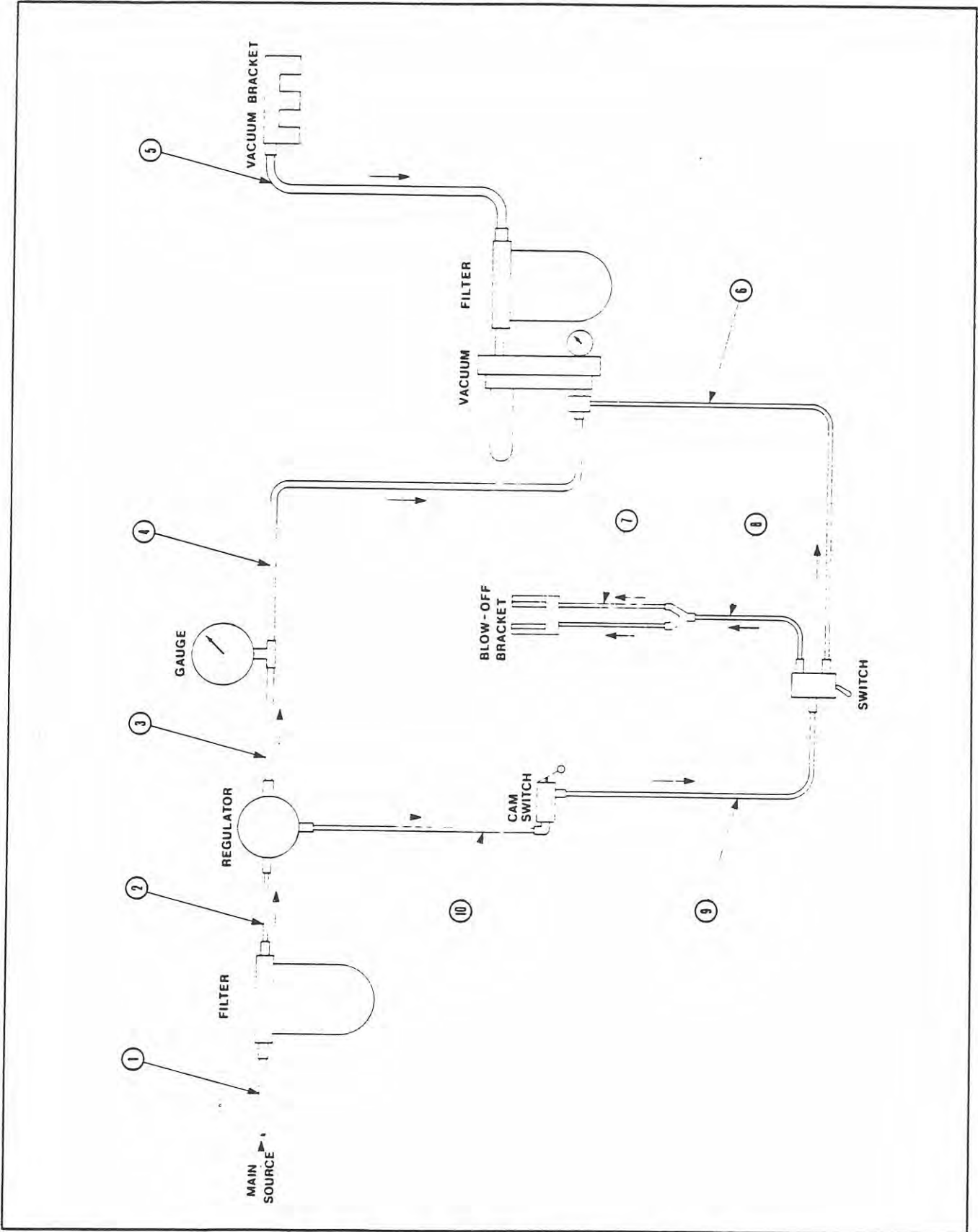
<u>DESCRIPTION</u>	<u>MODULE</u>
Air Schematic - Table Unit without Vacuum	2
Air Schematic - Table Unit with Vacuum	4
Air Schematic - Stand Alone Unit	6



AIR SCHEMATIC - TABLE UNIT W/OUT VACUUM



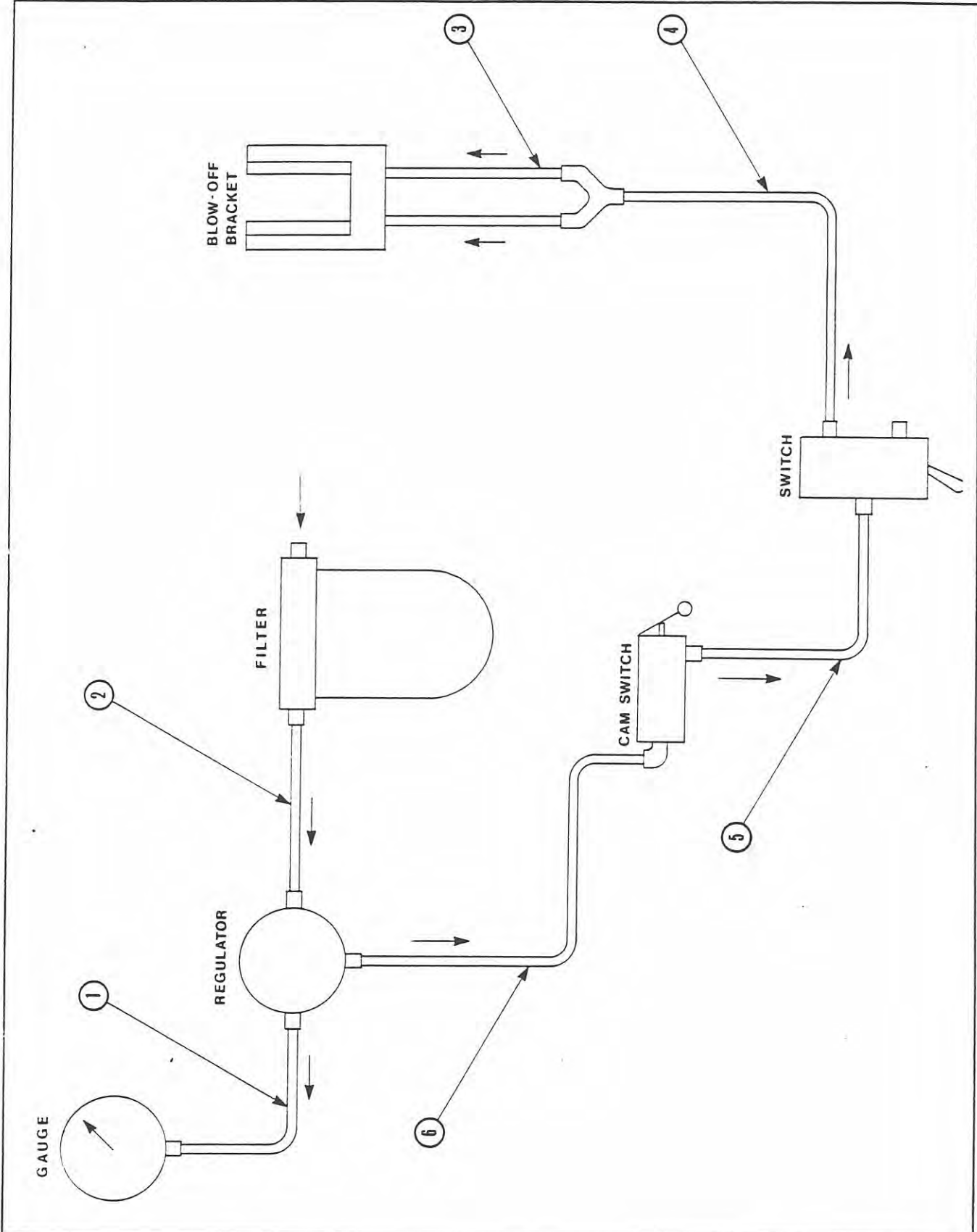
ITEM	PART NO.	DESCRIPTION	QTY.
	1009-4-8	AIR SCHEMATIC - TABLE UNIT W/OUT VACUUM	
1	1009-4-21	Air Line - Imperial Eastman - Polyflo #44-1/4 x 5	1
2	1009-4-19	Air Line - Imperial Eastman - Polyflo #44-1/4 x 16	1
3	1009-4-18	Air Line - Imperial Eastman - Polyflo #44-1/4 x 32	1
4	1009-4-3	Air Line - 5/32 Red tube x 7-1/4"	2
5	1009-4-2	Air Line - 5/32 Red tube x 9"	1
6	1009-4-4	Air Line - 5/32 Red tube x 8"	1
7	1009-4-7	Air Line - 5/32 Red tube - 58	1



AIR SCHEMATIC - TABLE UNIT W/VACUUM



ITEM	PART NO.	DESCRIPTION	QTY.
	1009-6-0	AIR SCHEMATIC - TABLE UNIT W/VACUUM	
1	1009-4-18	Air Line - Imperial Eastman - Polyflo #44-1/4 x 32	1
2	1009-4-19	Air Line - Imperial Eastman - Polyflo #44-1/4 x 16	1
3	1009-4-21	Air Line - Imperial Eastman - Polyflo #44-1/4 x 5	1
4	1009-4-20	Air Line - Imperial Eastman - Polyflo #44-1/4 x 72	1
5	1009-4-34	Air Line - Dominion - clear vinyl tubing - #DJFT-64-3/8 x 64	1
6	1009-4-5	Air Line - 5/32 Red tube x 66"	1
7	1009-4-3	Air Line - 5/32 Red tube x 7-1/4"	2
8	1009-4-2	Air Line - 5/32 Red tube x 9"	1
9	1009-4-4	Air Line - 5/32 Red tube x 8"	1
10	1009-4-7	Air Line - 5/32 Red tube x 58"	1





ITEM	PART NO.	DESCRIPTION	QTY.
	1009-9-0	STAND ALONE UNIT	
1	1009-4-8	Air Line - 5/32 Red tube x 3"	1
2	1009-4-6	Air Line - 5/32 Red tube x 16"	1
3	1009-4-3	Air Line - 5/32 Red tube x 7-1/4"	2
4	1009-4-2	Air Line - 5/32 Red tube x 9"	1
5	1009-4-4	Air Line - 5/32 Red tube x 8"	1
6	1009-4-6	Air Line - 5/32 Red tube x 16"	1